



BRINKS

HOME SECURITY™

PUSH PULL ROTATE

DOOR LOCKS™




THE HANDS-FULL
door knob™

OPEN


3

WAYS


PUSH it.



PULL it.



ROTATE it.



LOCK it.



SECURE CONVENIENCE

Keyed entry versions available.



SECURE



TOUGH

BUILT TO LAST

TABLE OF CONTENTS

A: Push Pull Rotate Innovative Technology

Features and Benefits	A1
Specifications	A2

B: General Information

Terms and Conditions	B1
Order Codes and Information	B2
General Information	B3
ANSI Functions	B4
Units, Weights and Measures	B5
UPCs and I2of5s	B6
Blank Order Form	B7

C: List Pricing

Hardware	C1
Keys	C2
Keying Charges	C2
Cylinders	C3
Latches	C4
Strikes	C5

Patent Notice: Hampton Products International Corporation products marketed under **Brinks Home Security** brand, "**PUSH PULL ROTATE**", or other brand names may be covered by both issued and pending U.S. and foreign patents, copyrights and trademarks. Manufactured items are covered by one or more of the following patents: 9121200, D691447, D691448, D691449, D691450, D691451, D691452, D691454, D691455, D710675, D710676, D701748, D739703, D739704.

NEW FROM BRINKS HOME SECURITY

A New, Hip Way to Open a Door

New Push Pull Rotate door locks from Brinks Home Security make opening doors easier whether your hands are full or free. A tug with a single finger, or a quick bump with an elbow or hip, can open interior or exterior doors more easily, and without setting down groceries, children, or mobile phones.

Push Pull Rotate door locks, the only locks that open 3 ways.



PUSH it.



PULL it.



ROTATE it.



AWARDS

Brinks Home Security Push Pull Rotate Door Locks are the proud winners of the following awards:

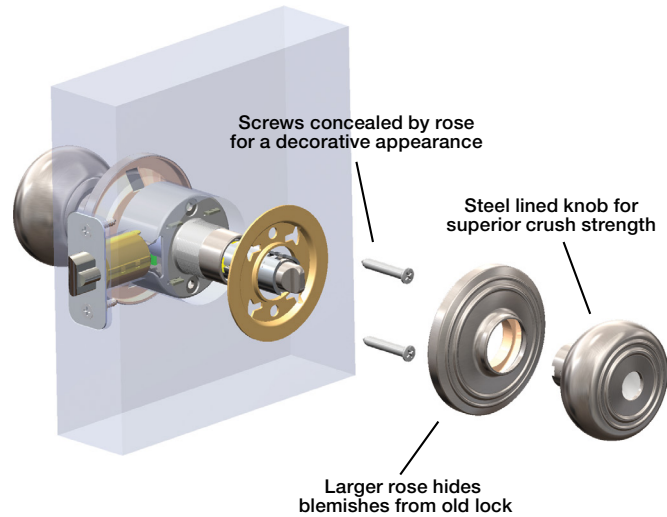
- IBS Best in Show
- IBS Best in Indoor Living
- PCBC Parade of Products - Best in Show
- Handy Magazine - Most Innovative



FEATURES AND BENEFITS

Superior Craftsmanship

- Cylindrical chassis for durability
- Hidden screws for a more attractive appearance
- Almost 3" knob/lever rose diameter to hide the blemish from old hardware
- Removable interior knob/lever for scratch free installation
- Lever meets ADA requirements
- Easy adjustment for door thickness



For Any Door in Your House

Exterior Locking

Interior Locking

Interior Non-Locking

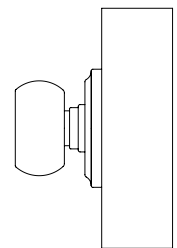
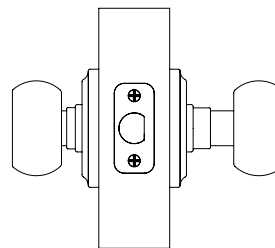
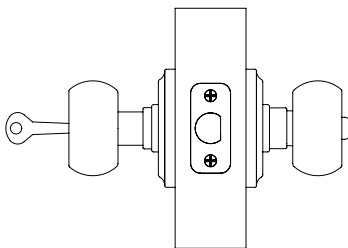
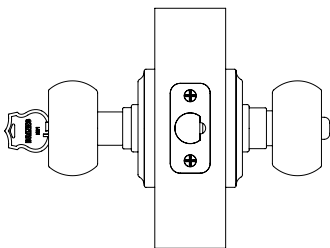
Dummy

Keyed entry for front doors, back doors, and garage doors

Privacy locks for bedrooms and bathrooms

Passage locks for laundry rooms, pantries, kid's rooms, and closets

Dummy locks for closets and French doors



SECURE



TOUGH



BUILT TO LAST

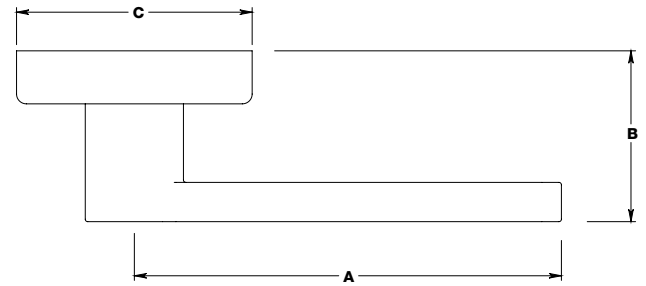
Levers

Specifications

Door Preparation:	Cross bore 2 1/8", edge bore 1", 1" x 2 1/4" latch mortise
Backset:	2 3/8" or 2 3/4"
Door Thickness:	1 3/8" to 1 3/4"
Cylinder:	KW1 standard, SC1 available, 5 pin
Rose Diameter:	2.95"
Chassis:	Cylindrical
Faceplate:	2 1/4" Round corner, drive-in available
Strikes:	2 1/4" full rim standard for entry, 2 1/4" full lip standard for interior, others available
Bolt:	1/2" Throw
UL:	90 Minute fire rated available
ADA:	Levers are ADA compliant
Door Handing:	All hardware is reversible for left or right handed doors except the Glenshaw entry levers in contractor boxes or Glenshaw dummy levers. These need to be specified for left or right handed doors.
ANSI Grading:	Meets Grade 2 standards*

* Except for warped door testing

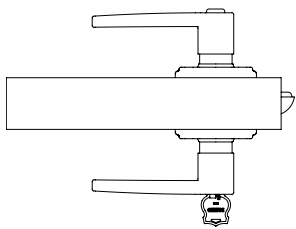
Dimensions



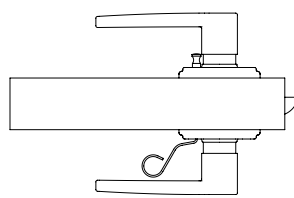
*Outside lever, passage function, 1 3/8" thick door

Style	A(in)	B(in)	C(in)
Harper	4.11	2.40	2.95
Alwood	4.13	2.72	2.95
Glenshaw	4.11	2.45	2.95
Arnett	4.25	2.51	2.95

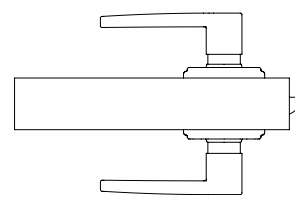
Functions



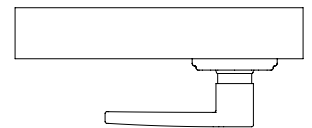
Keyed Entry



Privacy



Passage



Dummy

Finishes



Polished Brass
Glenshaw



Satin Nickel
Alwood



Tuscan Bronze
Arnett



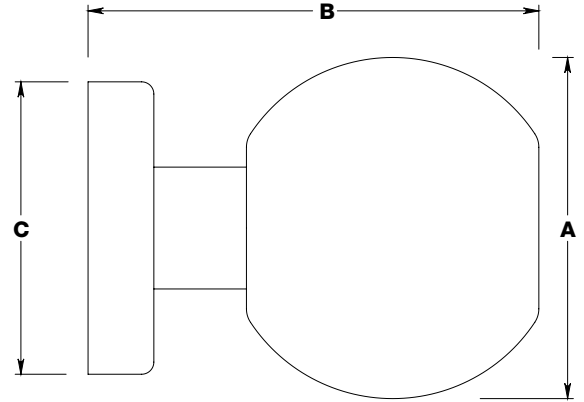
Polished Chrome
Harper

Knobs

Specifications

Door Preparation:	Cross bore 2 1/8", edge bore 1", 1" x 2 1/4" latch mortise
Backset:	2 3/8" or 2 3/4"
Door Thickness:	1 3/8" to 1 3/4"
Cylinder:	KW1 standard, SC1 available, 5 pin
Rose Diameter:	2.95"
Chassis:	Cylindrical
Faceplate:	2 1/4" Round corner, drive-in available
Strikes:	2 1/4" Full rim standard for entry, 2 1/4" full lip standard for interior, others available
Bolt:	1/2" Throw
UL:	90 Minute fire rated available
ANSI Grading:	Meets Grade 2 standards

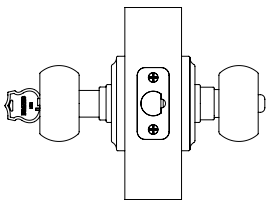
Dimensions



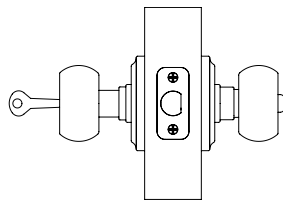
*Outside knob, passage function, 1 3/8" thick door

Style	A(in)	B(in)	C(in)
Stafford	2.37	2.82	2.95
Ganyon	2.37	2.81	2.95
Lindingham	2.23	2.73	2.95
Webley	2.34	2.57	2.95
Barrett	2.12	2.81	2.95

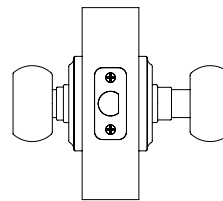
Functions



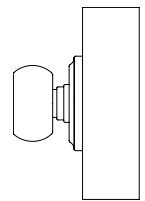
Keyed Entry



Privacy



Passage



Dummy

Finishes



Polished Brass
Webley



Satin Nickel
Barrett



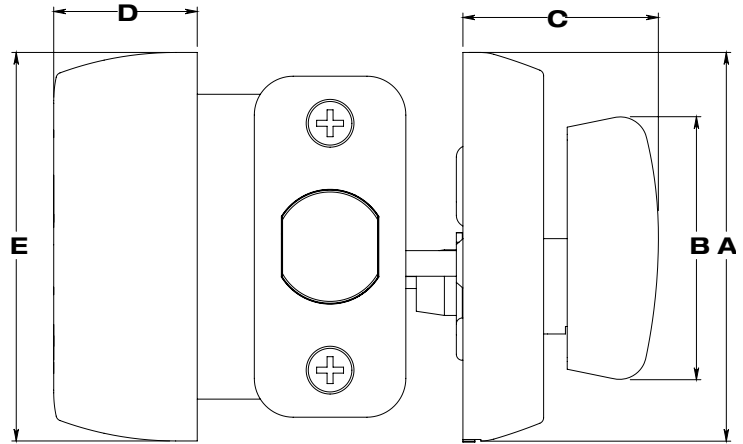
Tuscan Bronze
Stafford

Deadbolts

Specifications

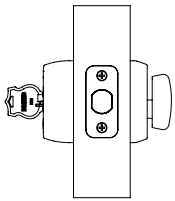
Door Preparation:	Cross bore 2 1/8", edge bore 1", 1" x 2 1/4" latch mortise
Backset:	Adjustable for 2 3/8" or 2 3/4"
Door Thickness:	1 3/8" to 1 3/4"
Cylinder:	KW1 standard, SC1 available, 5 pin
Faceplate:	2 1/4" Round corner, drive-in available
Strikes:	2 3/4" Square corner
Bolt:	1" Throw, steel
UL:	90 Minute fire rated available
ANSI Grading:	Meets Grade 2 standards

Dimensions



Style	A(in)	B(in)	C(in)	D(in)	E(in)
Amberhall	2.56	1.73	1.55	.94	2.56
Almarrion	2.56	1.73	1.55	.94	2.56
Weldon	2.56	1.73	1.55	.86	2.56

Functions



Deadbolt

Finishes



Polished Brass
Weldon



Satin Nickel
Almarrion



Tuscan Bronze
Amberhall



Polished Chrome
Weldon



Handlesets

Specifications

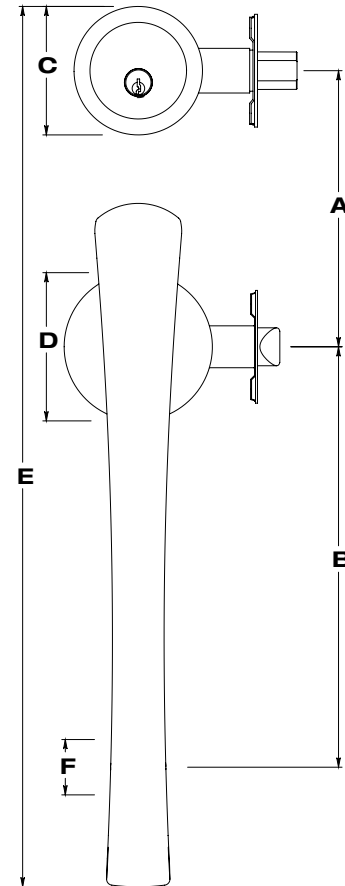
Handle

Door Preparation:	Cross bore 2 1/8", edge bore 1", 1" x 2 1/4" latch mortise, bottom bore hole 5/16"
Backset:	2 3/8" or 2 3/4"
Door Thickness:	1 3/8" to 1 3/4"
Chassis:	Cylindrical
Latch:	Spring
Bolt:	1/2" Throw
Faceplate:	2 1/4" Round corner, drive-in available
Strikes:	2 1/4" Full rim standard
Door Handing:	Reversible

Deadbolt

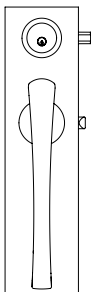
Door Preparation:	Cross bore 2 1/8", edge bore 1", 1" x 2 1/4" latch mortise,
Backset:	Adjustable for 2 3/8" or 2 3/4"
Door Thickness:	1 3/8" to 1 3/4"
Cylinder:	KW1 standard, SC1 available, 5 pin
Faceplate:	2 1/4" Round corner, drive-in available
Strikes:	2 3/4" Square corner
Bolt:	1" Throw, steel
ANSI Grading:	Meets Grade 2 standards

Dimensions



Style	A(in)	B(in)	C(in)	D(in)	E(in)	F(in)
Rhodes	5.50	8.38	2.56	2.95	17.61	1.10
Rourke	5.50	8.38	2.56	2.95	17.50	1.10

Functions



Handleset

Finishes



Polished Brass
Rourke



Satin Nickel
Rhodes



Tuscan Bronze
Rhodes

TERMS AND CONDITIONS

TERMS AND CONDITIONS OF SALE

Standard terms are 2% prompt payment discount for payment within 30 days from date of invoice; net 31 days from the date of invoice. Hampton Products International (HPI) reserves the right to charge and recover on invoices which are not paid within the above terms, a service charge of 1-1/2% a month for each month or fraction thereof during which the invoice remains unpaid, said service charge, however, not to exceed the highest applicable legal rate of interest. All orders, whether solicited or written by HPI sales representatives or forwarded by our customers are deemed to be mere offers to purchase in accordance with these Terms and Conditions of Sale until actually accepted by us at our home office in Foothill Ranch, CA. HPI reserves the right to refuse any order as well as the right to sell or not sell to any firm at our sole discretion. The acceptance of an order is expressly made conditional upon your assent to these Conditions of Sale. HPI objects to the inclusion of any different or additional terms or conditions, even if the same are included in your order, a contract of sale will result upon the Terms and Conditions of Sale stated herein only. All sales are final.

PRICES

Pricing based on full-case quantities only; orders for less than full case will be automatically adjusted up to the next full-case quantity. All prices are subject to change without notice and are not guaranteed. All taxes, duties or other charges are the responsibility of the customer.

CLAIMS

Price claims must be submitted in writing to Hampton Products, 50 Icon, Foothill Ranch, CA 92610, within 80 days from the date of invoice.

CHANGES OR CANCELLATIONS

Beyond 2 working days of our acknowledgement date no changes can be made. Additions to an order will be handled as a separate order and must meet applicable minimum order requirements. Order cancellation on regular stock items only, or any portion thereof is allowed only upon prior written consent from HPI, and the payment of cancellation charges deemed appropriate.

MINIMUM CHARGE

No order will be invoiced for less than \$100.00 net plus shipping charges except for lock accessory parts.

MINIMUM ANNUAL SALES VOLUME

HPI reserves the right to discontinue direct sales to any customer who does not meet the minimum annual sales volume requirement. The current annual requirement is \$10,000. Your annual purchases are determined by accepted, non-cancelled, and shipped orders received during each calendar year. HPI reserves the right to change any or all minimum annual sales volume requirements at any time. Any customer who does not meet the annual sales volume requirements may continue to purchase HPI products through an HPI distributor.

RETURNS

Defective merchandise returned to 50 Icon Foothill Ranch, CA, requires prior written authorization from an HPI sales representative. A return authorization must accompany the returned shipment. The return authorization must include an itemized listing of the merchandise and an explanation stating the reason for return. There will be a 20% product restocking fee on all returned merchandise.

FREIGHT

All goods are invoiced FOB 50 Icon, Foothill Ranch, CA, 92610. Upon delivery of shipments to the carrier, title to, and the risk of loss or damage in transit for such shipments, passes to the customer. HPI's standard policy is to pay freight charges on all orders over \$500 net invoice value to a single destination in the continental U.S., by carrier and route of our choice. Shipments less than these quantities will not be shipped on a prepaid basis. If higher freight charges are incurred from customers specifying a carrier or route of their choice the additional cost will be added to that customer's invoice.

DELIVERY CONDITIONS

Shipping schedules are our best estimates, and cannot be guaranteed. HPI is not responsible for any direct or consequential loss or damage resulting from an inability or delay in meeting shipping schedules.

FULL LIFETIME MECHANICAL WARRANTY & 10-YEAR LIMITED FINISH WARRANTY

This product is warranted with a Lifetime Mechanical warranty and 10-year Limited Finish warranty to the original user to be free of defects in material and workmanship under normal use and service as long as the original user occupies/manages premises upon which the product was originally installed. Hampton Products provides a 10-year limited lifetime finish warranty on this product under the terms and conditions noted below. If a defect in material or workmanship occurs, or the surface finish defect occurs for reasons other than listed below, call 800-562-5625 for instructions on how to have the product replaced, exchanged for a similar product of equal value, or repaired free of charge. This warranty is null and void if the product was used for purposes for which it was not designed, is abused, misused,

modified or improperly installed, operated, maintained, and/or repaired. This warranty DOES NOT COVER scratches; abrasions; deterioration due to the use of paints, solvents, or other chemicals. NOT LIABLE FOR INCIDENTAL, INDIRECT, OR CONSEQUENTIAL DAMAGES. Some states do not allow the exclusion or limitation of incidental or consequential damages, so this exclusion may not apply to you. This warranty provides you with specific legal rights and you may also have other rights that vary from state to state.

PATENT INDEMNITY

No person or entity may sell, distribute, advertise, market or promote Hampton, Brinks, Brinks Home Security or other private label branded products distributed by Hampton Products International Corporation ("Hampton"), without prior written authorization from Hampton. Customers of Hampton who are authorized to sell Hampton, Brinks, Brinks Home Security and/or other private label branded products are referred to herein as "Customers."

The Hampton brand, and all other licensed/private label brand products, are the sole property of Hampton Products International Corporation or Hampton has legal rights to use the trademark, graphics or logo, whether or not registered or otherwise protected (the "Marks"), and such Marks remain under the sole and exclusive authority rights of Hampton and nothing arising out of the relationship between Hampton and any Customer conveys to Customer any ownership rights in the Marks. Customers may use the Marks and then only in the sale or promotion of authentic Hampton products in compliance with the terms of this policy. The Marks must be used exactly in the form provided and in conformity with all Hampton and licensed trademark usage policies or guidelines, including, but not limited to, those related to shape, color match and imprint quality. Any proposed deviation must be approved in writing by Hampton prior to use. The Marks may not be used in or as part of any Customer domain name or the Internet. Prior to any use of the Marks on goods or services, Customers must submit samples for Hampton's approval.

Additionally, no Customer may use product depictions, graphics, logos or text relating to Hampton products (or its licensed or private label brand) that have not been provided by Hampton in connection with the advertising, promotion or sale of Hampton products without Hampton's prior review and written approval of each such use. The Marks may not be used in or as part of any reseller or other third party (i) domain name or VRL or the Internet, (ii) trademark or service mark, or (iii) company or trade name. Any action on the part of a Customer that violates the terms and condition of sale of this policy or otherwise impairs the value of or goodwill associated with the Marks or is otherwise not in conformity with Hampton's standards may result in the suspension or termination of the Customer's authorization or any other remedy permitted by law.

Hampton grants to each of its Customers limited, non-transferable, non-sublicenseable licenses of the patents relating to the Hampton products that the Customer is authorized to sell and of the copyrights in any packaging or other written materials included therewith or relating thereto. Said patent and copyright licenses are solely to sell such Hampton, or its licensed or private label brand, products covered by such patents and to which such copyrights relate only to the end-user and other Customers in compliance with the terms and conditions of this document. The sales of such patented Hampton products and the sale or use of such copyrighted materials by a Customer that violate the terms and conditions of this document exceed the scope of the licenses herein granted to the Customer and may constitute patent and/or copyright infringement.

STANDARDS

HPI meets or exceeds the testing requirements specified for each product grade or rating.

- American National Standards Institute (ANSI)
- Underwriters Laboratories, Inc. (UL)
- Americans with Disabilities Act (ADA)

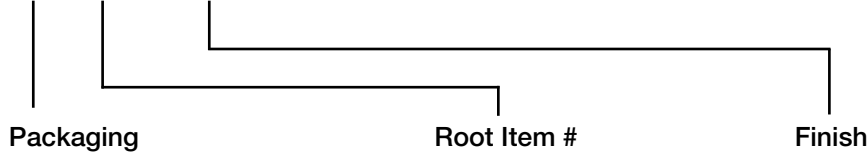
MISCELLANEOUS

Substitution of non-HPI components/parts, and any alteration or modification of factory parts, and other lock manufacturer's parts may result in door hardware which does not function properly or will fail and will void all warranties. Orders not specified with keying requirements will be shipped keyed alike in groups of 3 (KA). Orders with keying requirements of KA12 or more must have a "Letter of Release" on file with HPI stating that HPI will not be held liable for cost and expense arising from any loss or damage to property utilizing HPI products where 12 or more locks have been keyed alike. Contact your Sales Office account representative for a copy of the release form. HPI reserves the right to revise or modify products, product information, or pricing without notice. Product specifications and pricing reflect available information at the time of printing. HPI is not responsible for typographic or printing errors.

STOCK ORDERS

Item# C 23031-119

Specify:



C = Contractor
Not Specified = Retail

Specifies Style and
Function

105 = Polished Brass
119 = Satin Nickel
125 = Polished Chrome
150 = Tuscan Bronze

Standard:

Case Quantity	Latch	Strike	Keyway	Keying	
Contractor Packaging					
Knobs/levers/deadbolts	12	Knobs = 2 3/8" and 2 3/4", round corner face plate	Entry = Full Rim	KW1	KA3
Handlesets	4	Levers = 2 3/8" and 2 3/4", round corner face plate	Passage/Privacy = Full Lip		
Dummy knobs	20				
Dummy levers	12	Handlesets = 2 3/8" and 2 3/4", round corner face plate			
Retail Packaging					
Entry knobs	4	Deadbolts = Adjustable 2 3/8" to 2 3/4", round corner face plate			
Privacy/passage knobs	3				
Entry levers	4				
Privacy/passage levers	3				
Deadbolts	4				
Combos	4				
Handlesets	2				

SPECIAL ORDERING SYSTEM

This example is for a special order for 12 Glenshaw left-hand entry levers in satin nickel with 2 3/8" drive-in latches, and SC1 keyways, T strikes, keyed differently.

Item# S 23014LH-119-LEDI6 - SC1-T-KD

Prefix

S = Special Order
SF = UL Rated

Finish

105 = Polished Brass
119 = Satin Nickel
125 = Polished Chrome
150 = Tuscan Bronze

Keyway

KW1 or SC1

Key System

KD = Keyed Different
KA = Keyed Alike
MK = Master Keyed
GMK = Grand Master Keyed
CK = Construction Keyed
CMK = Construction Master Keyed
MAS = Maison Keyed

Root Item #

Specifies Style and Function

For Handed Levers:

LH = Left Hand
RH = Right Hand

Latch

LE = Entry
LS = Spring
LDB = Deadbolt Adjustable
LEU = UL Entry
LSU = UL Spring
LDBU = UL Deadbolt Adjustable
LEDI = Drive-In Entry
LSDI = Drive-In Spring
LDBDI = Drive-In Deadbolt Adjustable
6 = 2 3/8"
7 = 2 3/4"

Strike

SEFR = Entry Full Rim
SEFL = Entry Full Lip
SPFL = Passage/Privacy Full Lip
T = T
ASA = ASA

NOTE: If a full lip strike option is selected, the lockset will not meet ANSI Grade 2 standards.

GENERAL INFORMATION

UL

UL: Underwriters Laboratories Listed

Push Pull Rotate Locksets knobs and levers, when specified are UL listed for 90 minute fire rating in the US and Canada when used with UL latches. Complimentary deadbolts, when specified, are also UL listed for 90 minute fire rating in the US and Canada.

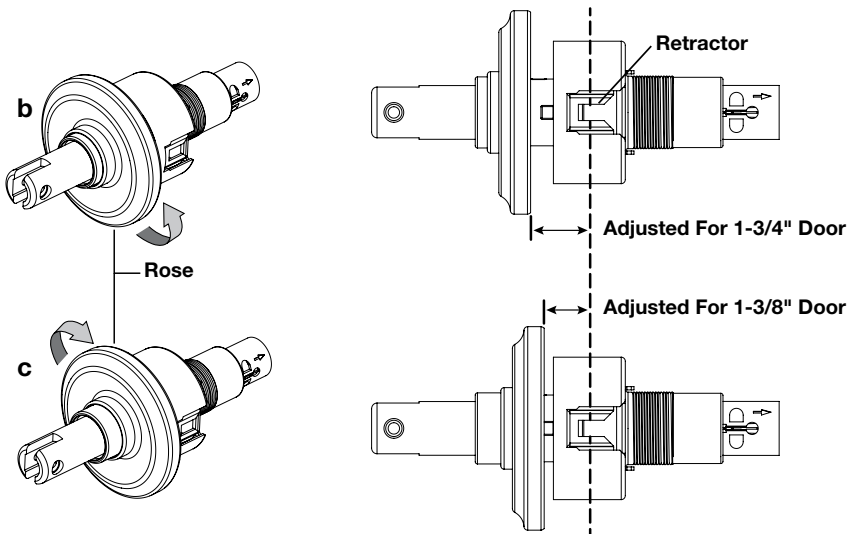


Note: There is a list price upcharge of \$5.00 per latch for UL 90 minute fire rated knobs and levers.

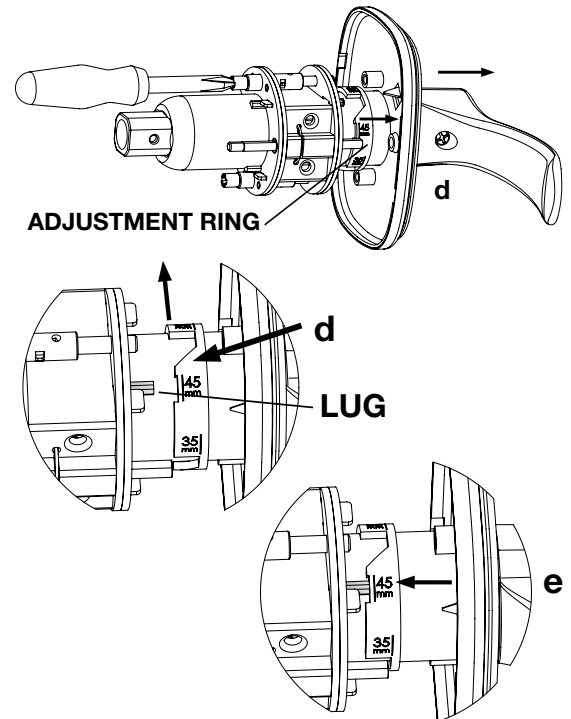
Door Thickness

Door thickness adjustment is critical. The retractor needs to be on the centerline of the door when installed. Keyed hardware is pre-set for thick (1 3/4") doors. Non-keyed hardware is pre-set for thin (1 3/8") doors. If an adjustment is needed, it is easy but the adjustment is different for knobs and levers. See the detailed instructions included in the package or visit bhsppr.com for installation videos.

Knob



Lever



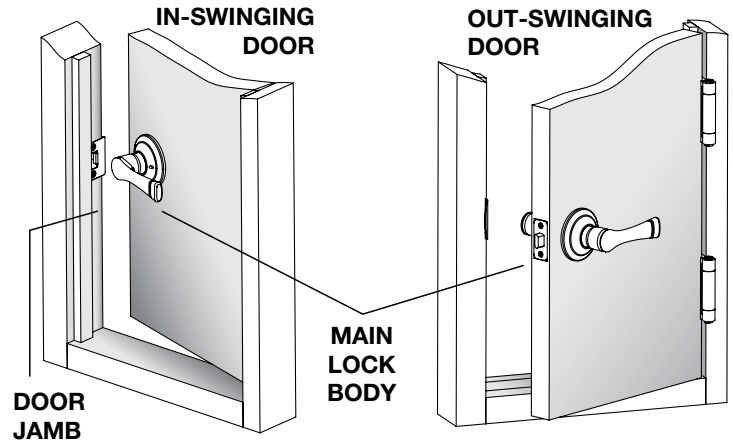
GENERAL INFORMATION

Door Swing

To determine the swing of a door, face the OUTSIDE of the door. If the door is pushed into the room to enter from the outside it is an in-swinging door. If the door is pulled open to enter the room from the outside it is an out-swinging door.

NOTE: Push Pull Rotate levers and passage knobs work on both in-swinging and out-swinging doors. Push Pull Rotate keyed and privacy knobs, and handle-sets work on in-swinging doors ONLY.

VIEW FROM OUTSIDE THE ROOM



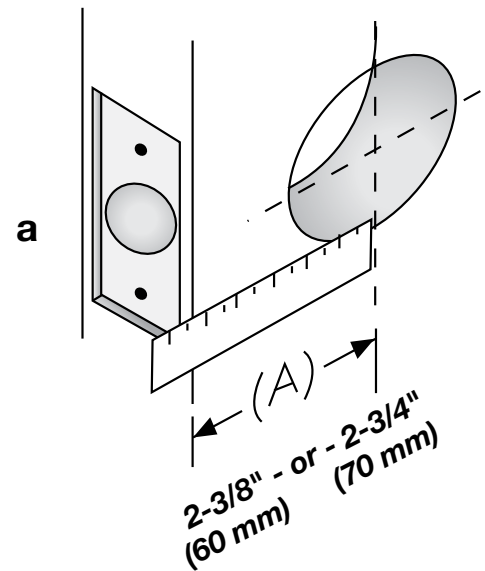
Backset

Backset is the distance from door edge to center of the hole on the door face. Push Pull Rotate products accommodate backsets that are 2 3/8" or 2 3/4".



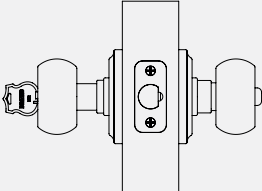
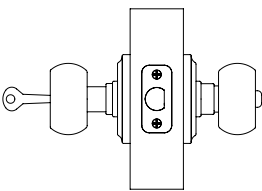
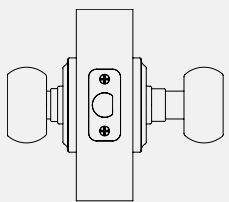
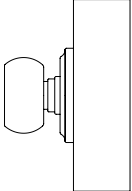
ADA

Push Pull Rotate levers and deadbolts comply with the Americans with Disabilities Act of 1990.

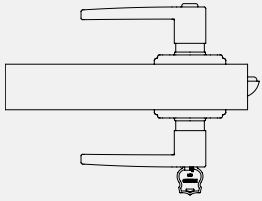
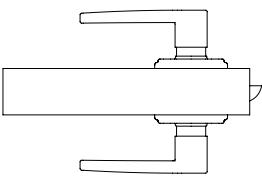


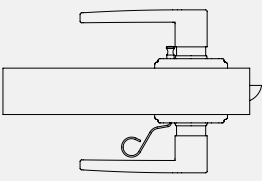
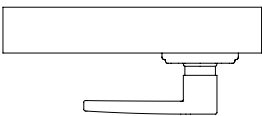
ANSI/BHMA FUNCTION DESIGNATIONS AND DESCRIPTIONS

PUSH PULL ROTATE KNOB

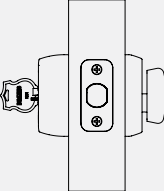
	Function	Description	BHMA Standard
	Entry	Both knobs locked or unlocked by key outside or turn button inside. *Not fully complaint with A156.2. Inside knob does not operate the latch when locked.	F81*
	Privacy/Bed/Bath	Both knobs locked or unlocked by turn button inside. Outside knob unlocked by emergency key. *Not fully complaint with definition of either F76A or F76B in A156.2. Inside knob does not operate the latch when locked, nor does it release the locking mechanism.	F76*
	Passage/Hall/Closet	Both knobs always free.	F75
	Dummy	For doors where only a pull is required. Does not operate a latch.	NA

PUSH PULL ROTATE LEVER

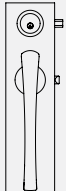
	Function	Description	BHMA Standard
	Entry	Outside lever is locked by push button inside. Outside lever is unlocked by key, or by pushing, pulling or rotating the inside lever. Inside lever is always free. Outside lever cannot be locked with key.	F82B
	Privacy Bed/Bath	Outside lever locked by off-set push button inside. Outside lever unlocked by emergency key or by pushing, pulling or rotating inside lever, or by closing the door. Inside lever is always free.	F76A

Function	Description	BHMA Standard
	Passage/Hall/Closet Both levers always free.	F75
	Dummy For doors where only a pull is required. Does not operate a latch.	NA

PUSH PULL ROTATE DEADBOLT

Function	Description	BHMA Standard
	Single Cylinder Deadbolt Deadbolt operated by key outside and thumbturn inside.	E0152

PUSH PULL ROTATE HANDLESET

Function	Description	BHMA Standard
	Passage Handleset with Single Cylinder Deadbolt Latch bolt operated by pushing on outside handle or by pulling or turning the inside knob. Handle and knob are always free. Deadbolt operated by key outside and thumbturn inside.	E0152 + F75



UNITS, WEIGHTS & MEASURES - CONTRACTOR PACK

KNOBS			INDIVIDUAL UNIT				MASTER CASE				
Item Number	Product Name	QTY	D(in)	W(in)	H(in)	Weight(lbs)	QTY	D(in)	W(in)	H(in)	Weight(lbs)
C23001-105	Stafford Entry Polished Brass	1	4.25	4.00	8.75	2.35	12	24.00	9.50	9.50	30.00
C23021-105	Stafford Privacy Polished Brass	1	4.25	4.00	8.75	2.35	12	24.00	9.50	9.50	30.00
C23041-105	Stafford Passage Polished Brass	1	4.25	4.00	8.75	2.35	12	24.00	9.50	9.50	30.00
C23001-119	Stafford Entry Satin Nickel	1	4.25	4.00	8.75	2.35	12	24.00	9.50	9.50	30.00
C23021-119	Stafford Privacy Satin Nickel	1	4.25	4.00	8.75	2.35	12	24.00	9.50	9.50	30.00
C23041-119	Stafford Passage Satin Nickel	1	4.25	4.00	8.75	2.35	12	24.00	9.50	9.50	30.00
C23001-150	Stafford Entry Tuscan Bronze	1	4.25	4.00	8.75	2.35	12	24.00	9.50	9.50	30.00
C23021-150	Stafford Privacy Tuscan Bronze	1	4.25	4.00	8.75	2.35	12	24.00	9.50	9.50	30.00
C23041-150	Stafford Passage Tuscan Bronze	1	4.25	4.00	8.75	2.35	12	24.00	9.50	9.50	30.00
C23002-119	Ganyon Entry Satin Nickel	1	4.25	4.00	8.75	2.35	12	24.00	9.50	9.50	30.00
C23022-119	Ganyon Privacy Satin Nickel	1	4.25	4.00	8.75	2.35	12	24.00	9.50	9.50	30.00
C23042-119	Ganyon Passage Satin Nickel	1	4.25	4.00	8.75	2.35	12	24.00	9.50	9.50	30.00
C23002-150	Ganyon Entry Tuscan Bronze	1	4.25	4.00	8.75	2.35	12	24.00	9.50	9.50	30.00
C23022-150	Ganyon Privacy Tuscan Bronze	1	4.25	4.00	8.75	2.35	12	24.00	9.50	9.50	30.00
C23042-150	Ganyon Passage Tuscan Bronze	1	4.25	4.00	8.75	2.35	12	24.00	9.50	9.50	30.00
C23003-119	Lindingham Entry Satin Nickel	1	4.25	4.00	8.75	2.51	12	24.00	9.50	9.50	31.30
C23023-119	Lindingham Privacy Satin Nickel	1	4.25	4.00	8.75	2.35	12	24.00	9.50	9.50	29.46
C23043-119	Lindingham Passage Satin Nickel	1	4.25	4.00	8.75	2.27	12	24.00	9.50	9.50	28.44
C23003-150	Lindingham Entry Tuscan Bronze	1	4.25	4.00	8.75	2.49	12	24.00	9.50	9.50	31.18
C23023-150	Lindingham Privacy Tuscan Bronze	1	4.25	4.00	8.75	2.36	12	24.00	9.50	9.50	29.39
C23043-150	Lindingham Passage Tuscan Bronze	1	4.25	4.00	8.75	2.26	12	24.00	9.50	9.50	28.48
C23004-105	Webley Entry Polished Brass	1	4.25	4.00	8.75	2.31	12	24.00	9.50	9.50	28.54
C23024-105	Webley Privacy Polished Brass	1	4.25	4.00	8.75	2.13	12	24.00	9.50	9.50	26.52
C23044-105	Webley Passage Polished Brass	1	4.25	4.00	8.75	2.03	12	24.00	9.50	9.50	25.42
C23004-119	Webley Entry Satin Nickel	1	4.25	4.00	8.75	2.27	12	24.00	9.50	9.50	28.59
C23024-119	Webley Privacy Satin Nickel	1	4.25	4.00	8.75	2.14	12	24.00	9.50	9.50	26.73
C23044-119	Webley Passage Satin Nickel	1	4.25	4.00	8.75	2.02	12	24.00	9.50	9.50	25.48
C23004-150	Webley Entry Tuscan Bronze	1	4.25	4.00	8.75	2.31	12	24.00	9.50	9.50	28.83
C23024-150	Webley Privacy Tuscan Bronze	1	4.25	4.00	8.75	2.13	12	24.00	9.50	9.50	26.70
C23044-150	Webley Passage Tuscan Bronze	1	4.25	4.00	8.75	2.05	12	24.00	9.50	9.50	25.50
C23005-105	Barrett Entry Polished Brass	1	4.25	4.00	8.75	2.35	12	24.00	9.50	9.50	30.00
C23025-105	Barrett Privacy Polished Brass	1	4.25	4.00	8.75	2.13	12	24.00	9.50	9.50	26.60
C23045-105	Barrett Passage Polished Brass	1	4.25	4.00	8.75	2.02	12	24.00	9.50	9.50	25.28
C23005-119	Barrett Entry Satin Nickel	1	4.25	4.00	8.75	2.30	12	24.00	9.50	9.50	28.67
C23025-119	Barrett Privacy Satin Nickel	1	4.25	4.00	8.75	2.13	12	24.00	9.50	9.50	26.60
C23045-119	Barrett Passage Satin Nickel	1	4.25	4.00	8.75	2.01	12	24.00	9.50	9.50	25.29

LEVERS			INDIVIDUAL UNIT				MASTER CASE				
Item Number	Product Name	QTY	D(in)	W(in)	H(in)	Weight(lbs)	QTY	D(in)	W(in)	H(in)	Weight(lbs)
C23012-119	Harper Entry Satin Nickel	1	4.63	6.13	8.75	2.87	12	27.25	14.25	9.50	35.70
C23031-119	Harper Privacy Satin Nickel	1	4.63	6.13	8.75	2.80	12	27.25	14.25	9.50	35.00
C23051-119	Harper Passage Satin Nickel	1	4.63	6.13	8.75	2.80	12	27.25	14.25	9.50	35.00
C23012-150	Harper Entry Tuscan Bronze	1	4.63	6.13	8.75	2.84	12	27.25	14.25	9.50	35.70
C23031-150	Harper Privacy Tuscan Bronze	1	4.63	6.13	8.75	2.80	12	27.25	14.25	9.50	35.00
C23051-150	Harper Passage Tuscan Bronze	1	4.63	6.13	8.75	2.80	12	27.25	14.25	9.50	35.00
C23012-125	Harper Entry Polished Chrome	1	4.63	6.13	8.75	2.87	12	27.25	14.25	9.50	35.70
C23031-125	Harper Privacy Polished Chrome	1	4.63	6.13	8.75	2.80	12	27.25	14.25	9.50	35.00
C23051-125	Harper Passage Polished Chrome	1	4.63	6.13	8.75	2.80	12	27.25	14.25	9.50	35.00
C23013-105	Alwood Entry Polished Brass	1	4.63	6.13	8.75	2.96	12	27.25	14.25	9.50	37.10

Item Number	Product Name	QTY	D(in)	W(in)	H(in)	Weight(lbs)	QTY	D(in)	W(in)	H(in)	Weight(lbs)
C23032-105	Alwood Privacy Polished Brass	1	4.63	6.13	8.75	2.80	12	27.25	14.25	9.50	35.00
C23052-105	Alwood Passage Polished Brass	1	4.63	6.13	8.75	2.80	12	27.25	14.25	9.50	35.00
C23013-119	Alwood Entry Satin Nickel	1	4.63	6.13	8.75	2.96	12	27.25	14.25	9.50	36.98
C23032-119	Alwood Privacy Satin Nickel	1	4.63	6.13	8.75	2.80	12	27.25	14.25	9.50	35.00
C23052-119	Alwood Passage Satin Nickel	1	4.63	6.13	8.75	2.80	12	27.25	14.25	9.50	35.00
C23013-150	Alwood Entry Tuscan Bronze	1	4.63	6.13	8.75	2.93	12	27.25	14.25	9.50	36.91
C23032-150	Alwood Privacy Tuscan Bronze	1	4.63	6.13	8.75	2.80	12	27.25	14.25	9.50	35.00
C23052-150	Alwood Passage Tuscan Bronze	1	4.63	6.13	8.75	2.80	12	27.25	14.25	9.50	36.00
C23013-125	Alwood Entry Polished Chrome	1	4.63	6.13	8.75	2.96	12	27.25	14.25	9.50	37.10
C23032-125	Alwood Privacy Polished Chrome	1	4.63	6.13	8.75	2.80	12	27.25	14.25	9.50	35.00
C23052-125	Alwood Passage Polished Chrome	1	4.63	6.13	8.75	2.80	12	27.25	14.25	9.50	35.00
C23014LH-105	Glenshaw Entry, Left Hand Polished Brass	1	4.63	6.13	8.75	2.82	12	27.25	14.25	9.50	35.35
C23014RH-105	Glenshaw Entry, Right Hand, Polished Brass	1	4.63	6.13	8.75	2.82	12	27.25	14.25	9.50	35.35
C23034-105	Glenshaw Privacy Polished Brass	1	4.63	6.13	8.75	2.63	12	27.25	14.25	9.50	33.05
C23054-105	Glenshaw Passage Polished Brass	1	4.63	6.13	8.75	2.58	12	27.25	14.25	9.50	32.54
C23014LH-119	Glenshaw Entry, Left Hand Satin Nickel	1	4.63	6.13	8.75	2.82	12	27.25	14.25	9.50	35.35
C23014RH-119	Glenshaw Entry, Right Hand, Satin Nickel	1	4.63	6.13	8.75	2.82	12	27.25	14.25	9.50	35.35
C23034-119	Glenshaw Privacy Satin Nickel	1	4.63	6.13	8.75	2.64	12	27.25	14.25	9.50	32.96
C23054-119	Glenshaw Passage Satin Nickel	1	4.63	6.13	8.75	2.56	12	27.25	14.25	9.50	32.59
C23014LH-150	Glenshaw Entry, Left Hand Tuscan Bronze	1	4.63	6.13	8.75	2.82	12	27.25	14.25	9.50	35.35
C23014RH-150	Glenshaw Entry, Right Hand, Tuscan Bronze	1	4.63	6.13	8.75	2.82	12	27.25	14.25	9.50	35.35
C23034-150	Glenshaw Privacy Tuscan Bronze	1	4.63	6.13	8.75	2.60	12	27.25	14.25	9.50	32.90
C23054-150	Glenshaw Passage Tuscan Bronze	1	4.63	6.13	8.75	2.59	12	27.25	14.25	9.50	32.25
C23015-119	Arnett Entry Satin Nickel	1	4.63	6.13	8.75	2.87	12	27.25	14.25	9.50	35.40
C23035-119	Arnett Privacy Satin Nickel	1	4.63	6.13	8.75	2.87	12	27.25	14.25	9.50	35.00
C23055-119	Arnett Passage Satin Nickel	1	4.63	6.13	8.75	2.87	12	27.25	14.25	9.50	35.00
C23015-150	Arnett Entry Tuscan Bronze	1	4.63	6.13	8.75	2.85	12	27.25	14.25	9.50	35.73
C23035-150	Arnett Privacy Tuscan Bronze	1	4.63	6.13	8.75	2.85	12	27.25	14.25	9.50	35.00
C23055-150	Arnett Passage Tuscan Bronze	1	4.63	6.13	8.75	2.87	12	27.25	14.25	9.50	35.00

DEADBOLTS

INDIVIDUAL UNIT

MASTER CASE

Item Number	Product Name	QTY	D(in)	W(in)	H(in)	Weight(lbs)	QTY	D(in)	W(in)	H(in)	Weight(lbs)
C23061-105	Almarrion Deadbolt Polished Brass	1	4.25	4.00	8.75	1.85	12	24.00	9.50	9.50	24.00
C23061-119	Almarrion Deadbolt Satin Nickel	1	4.25	4.00	8.75	1.85	12	24.00	9.50	9.50	24.00
C23061-150	Almarrion Deadbolt Tuscan Bronze	1	4.25	4.00	8.75	1.85	12	24.00	9.50	9.50	24.00
C23061-125	Almarrion Deadbolt Polished Chrome	1	4.25	4.00	8.75	1.85	12	24.00	9.50	9.50	24.00
C23062-105	Amberhall Deadbolt Polished Brass	1	4.25	4.00	8.75	1.76	12	24.00	9.50	9.50	22.40
C23062-119	Amberhall Deadbolt Satin Nickel	1	4.25	4.00	8.75	1.85	12	24.00	9.50	9.50	24.00
C23062-150	Amberhall Deadbolt Tuscan Bronze	1	4.25	4.00	8.75	1.85	12	24.00	9.50	9.50	24.00
C23063-105	Weldon Deadbolt Polished Brass	1	4.25	4.00	8.75	1.85	12	24.00	9.50	9.50	24.00
C23063-119	Weldon Deadbolt Satin Nickel	1	4.25	4.00	8.75	1.85	12	24.00	9.50	9.50	24.00
C23063-150	Weldon Deadbolt Tuscan Bronze	1	4.25	4.00	8.75	1.85	12	24.00	9.50	9.50	24.00
C23063-125	Weldon Deadbolt Polished Chrome	1	4.25	4.00	8.75	1.85	12	24.00	9.50	9.50	24.00

HANDLESETS

INDIVIDUAL UNIT

MASTER CASE

Item Number	Product Name	QTY	D(in)	W(in)	H(in)	Weight(lbs)	QTY	D(in)	W(in)	H(in)	Weight(lbs)
C23071-119	Rhodes Handleset Satin Nickel	1	3.63	15.50	7.25	5.20	4	16.13	15.25	8.63	22.13
C23071-150	Rhodes Handleset Tuscan Bronze	1	3.63	15.50	7.25	5.19	4	16.13	15.25	8.63	22.14
C23071-125	Rhodes Handleset Polished Chrome	1	3.63	15.50	7.25	5.19	4	16.13	15.25	8.63	22.14

Item Number	Product Name	QTY	D(in)	W(in)	H(in)	Weight(lbs)	QTY	D(in)	W(in)	H(in)	Weight(lbs)
C23072-105	Rourke Handleset Polished Brass	1	3.63	15.50	7.25	5.79	4	16.13	15.25	8.63	24.48
C23072-119	Rourke Handleset Satin Nickel	1	3.63	15.50	7.25	5.76	4	16.13	15.25	8.63	24.43
C23072-150	Rourke Handleset Tuscan Bronze	1	3.63	15.50	7.25	5.78	4	16.13	15.25	8.63	24.48

DUMMY KNOBS			INDIVIDUAL UNIT				MASTER CASE				
Item Number	Product Name	QTY	D(in)	W(in)	H(in)	Weight(lbs)	QTY	D(in)	W(in)	H(in)	Weight(lbs)
C23101-105	Stafford Dummy Polished Brass	1	3.50	3.13	2.75	0.47	20	16.38	7.75	6.40	10.02
C23101-119	Stafford Dummy Satin Nickel	1	3.50	3.13	2.75	0.48	20	16.38	7.75	6.40	10.14
C23101-150	Stafford Dummy Tuscan Bronze	1	3.50	3.13	2.75	0.48	20	16.38	7.75	6.40	10.12
C23102-119	Garyon Dummy Satin Nickel	1	3.50	3.13	2.75	0.51	20	16.38	7.75	6.40	10.68
C23102-150	Garyon Dummy Tuscan Bronze	1	3.50	3.13	2.75	0.45	20	16.38	7.75	6.40	10.80
C23103-119	Lindingham Dummy Satin Nickel	1	3.50	3.13	2.75	0.59	20	16.38	7.75	6.40	12.28
C23103-150	Lindingham Dummy Tuscan Bronze	1	3.50	3.13	2.75	0.59	20	16.38	7.75	6.40	12.42
C23104-105	Webley Dummy Polished Brass	1	3.50	3.13	2.75	0.47	20	16.38	7.75	6.40	9.95
C23104-119	Webley Dummy Satin Nickel	1	3.50	3.13	2.75	0.47	20	16.38	7.75	6.40	9.93
C23104-150	Webley Dummy Tuscan Bronze	1	3.50	3.13	2.75	0.47	20	16.38	7.75	6.40	9.97
C23105-105	Barrett Dummy Polished Brass	1	3.50	3.13	2.75	0.45	20	16.38	7.75	6.40	9.62
C23105-119	Barrett Dummy Satin Nickel	1	3.50	3.13	2.75	0.47	20	16.38	7.75	6.40	9.84

DUMMY LEVERS			INDIVIDUAL UNIT				MASTER CASE				
Item Number	Product Name	QTY	D(in)	W(in)	H(in)	Weight(lbs)	QTY	D(in)	W(in)	H(in)	Weight(lbs)
C23106-119	Harper Dummy Satin Nickel	1	6.00	3.88	2.88	0.69	12	12.88	9.50	8.50	8.97
C23106-150	Harper Dummy Tuscan Bronze	1	6.00	3.88	2.88	0.69	12	12.88	9.50	8.50	8.91
C23106-125	Harper Dummy Polished Chrome	1	6.00	3.88	2.88	0.69	12	12.88	9.50	8.50	8.97
C23107-105	Alwood Dummy Polished Brass	1	6.00	3.88	2.88	0.78	12	12.88	9.50	8.50	9.91
C23107-119	Alwood Dummy Satin Nickel	1	6.00	3.88	2.88	0.77	12	12.88	9.50	8.50	9.80
C23107-150	Alwood Dummy Tuscan Bronze	1	6.00	3.88	2.88	0.77	12	12.88	9.50	8.50	9.99
C23107-125	Alwood Dummy Polished Chrome	1	6.00	3.88	2.88	0.78	12	12.88	9.50	8.50	9.91
C23108LH-105	Glenshaw Dummy, Left Hand, Polished Brass	1	6.00	3.88	2.88	0.63	12	12.88	9.50	8.50	8.12
C23108LH-119	Glenshaw Dummy, Left Hand, Satin Nickel	1	6.00	3.88	2.88	0.62	12	12.88	9.50	8.50	8.13
C23108LH-150	Glenshaw Dummy, Left Hand, Tuscan Bronze	1	6.00	3.88	2.88	0.62	12	12.88	9.50	8.50	8.10
C23108RH-105	Glenshaw Dummy, Right Hand, Polished Brass	1	6.00	3.88	2.88	0.62	12	12.88	9.50	8.50	8.08
C23108RH-119	Glenshaw Dummy, Right Hand, Satin Nickel	1	6.00	3.88	2.88	0.62	12	12.88	9.50	8.50	8.09
C23108RH-150	Glenshaw Dummy, Right Hand, Tuscan Bronze	1	6.00	3.88	2.88	0.63	12	12.88	9.50	8.50	8.12
C23109-119	Arnett Dummy Satin Nickel	1	6.00	3.88	2.88	0.66	12	12.88	9.50	8.50	8.52
C23109-150	Arnett Dummy Tuscan Bronze	1	6.00	3.88	2.88	0.66	12	12.88	9.50	8.50	8.52

UNITS, WEIGHTS & MEASURES - RETAIL PACK

KNOBS			INDIVIDUAL UNIT				MASTER CASE				
Item Number	Product Name	QTY	D(in)	W(in)	H(in)	Weight(lbs)	QTY	D(in)	W(in)	H(in)	Weight(lbs)
23001-105	Stafford Entry Polished Brass	1	4.25	4.00	8.75	2.35	4	9.38	8.38	9.00	9.72
23021-105	Stafford Privacy Polished Brass	1	4.25	4.00	8.75	2.35	3	12.50	4.75	9.50	8.00
23041-105	Stafford Passage Polished Brass	1	4.25	4.00	8.75	2.35	3	12.50	4.75	9.50	8.00
23001-119	Stafford Entry Satin Nickel	1	4.25	4.00	8.75	2.35	4	9.38	8.38	9.00	9.71
23021-119	Stafford Privacy Satin Nickel	1	4.25	4.00	9.75	2.35	3	12.50	4.75	9.50	9.25
23041-119	Stafford Passage Satin Nickel	1	4.25	4.00	8.75	2.35	3	12.50	4.75	9.50	8.00

Item Number	Product Name	QTY	D(in)	W(in)	H(in)	Weight(lbs)	QTY	D(in)	W(in)	H(in)	Weight(lbs)
23001-150	Stafford Entry Tuscan Bronze	1	4.25	4.00	8.75	2.35	4	9.38	8.38	9.00	9.70
23021-150	Stafford Privacy Tuscan Bronze	1	4.25	4.00	8.75	2.35	3	12.50	4.75	9.50	8.00
23041-150	Stafford Passage Tuscan Bronze	1	4.25	4.00	8.75	2.35	3	12.50	4.75	9.50	8.00
23002-119	Ganyon Entry Satin Nickel	1	4.25	4.00	8.75	2.35	4	9.38	8.38	9.00	9.88
23022-119	Ganyon Privacy Satin Nickel	1	4.25	4.00	8.75	2.35	3	12.50	4.75	9.50	8.40
23042-119	Ganyon Passage Satin Nickel	1	4.25	4.00	8.75	2.35	3	12.50	4.75	9.50	8.00
23002-150	Ganyon Entry Tuscan Bronze	1	4.25	4.00	8.75	2.35	4	9.38	8.38	9.00	9.91
23022-150	Ganyon Privacy Tuscan Bronze	1	4.25	4.00	8.75	2.35	3	12.50	4.75	9.50	8.50
23042-150	Ganyon Passage Tuscan Bronze	1	4.25	4.00	8.75	2.35	3	12.50	4.75	9.50	8.00
23003-119	Lindingham Entry Satin Nickel	1	4.25	4.00	8.75	2.51	4	9.38	8.38	9.00	10.50
23023-119	Lindingham Privacy Satin Nickel	1	4.25	4.00	8.75	2.35	3	12.50	4.75	9.50	7.75
23043-119	Lindingham Passage Satin Nickel	1	4.25	4.00	8.75	2.27	3	12.50	4.75	9.50	7.75
23003-150	Lindingham Entry Tuscan Bronze	1	4.25	4.00	8.75	2.49	4	9.38	8.38	9.00	10.50
23023-150	Lindingham Privacy Tuscan Bronze	1	4.25	4.00	8.75	2.36	3	12.50	4.75	9.50	7.75
23043-150	Lindingham Passage Tuscan Bronze	1	4.25	4.00	8.75	2.26	3	12.50	4.75	9.50	7.75
23004-105	Webley Entry Polished Brass	1	4.25	4.00	8.75	2.31	4	9.38	8.38	9.00	9.70
23024-105	Webley Privacy Polished Brass	1	4.25	4.00	8.75	2.13	3	12.50	4.75	9.50	7.20
23044-105	Webley Passage Polished Brass	1	4.25	4.00	8.75	2.03	3	12.50	4.75	9.50	7.20
23004-119	Webley Entry Satin Nickel	1	4.25	4.00	8.75	2.27	4	9.38	8.38	9.00	9.43
23024-119	Webley Privacy Satin Nickel	1	4.25	4.00	8.75	2.14	3	12.50	4.75	9.50	6.75
23044-119	Webley Passage Satin Nickel	1	4.25	4.00	8.75	2.02	3	12.50	4.75	9.50	6.75
23004-150	Webley Entry Tuscan Bronze	1	4.25	4.00	8.75	2.31	4	9.38	8.38	9.00	9.70
23024-150	Webley Privacy Tuscan Bronze	1	4.25	4.00	8.75	2.13	3	12.50	4.75	9.50	7.20
23044-150	Webley Passage Tuscan Bronze	1	4.25	4.00	8.75	2.05	3	12.50	4.75	9.50	7.20
23005-105	Barrett Entry Polished Brass	1	4.25	4.00	8.75	2.35	4	9.38	8.38	9.00	9.75
23025-105	Barrett Privacy Polished Brass	1	4.25	4.00	8.75	2.13	3	12.50	4.75	9.50	7.00
23045-105	Barrett Passage Polished Brass	1	4.25	4.00	8.75	2.02	3	12.50	4.75	9.50	7.00
23005-119	Barrett Entry Satin Nickel	1	4.25	4.00	8.75	2.30	4	9.38	8.38	9.00	9.70
23025-119	Barrett Privacy Satin Nickel	1	4.25	4.00	8.75	2.13	3	12.50	4.75	9.50	7.20
23045-119	Barrett Passage Satin Nickel	1	4.25	4.00	8.75	2.01	3	12.50	4.75	9.50	7.20

LEVERS											
INDIVIDUAL UNIT											
MASTER CASE											
Item Number	Product Name	QTY	D(in)	W(in)	H(in)	Weight(lbs)	QTY	D(in)	W(in)	H(in)	Weight(lbs)
23012-119	Harper Entry Satin Nickel	1	4.63	6.13	8.75	2.87	4	13.63	9.25	9.25	12.00
23031-119	Harper Privacy Satin Nickel	1	4.63	6.13	8.75	2.80	3	13.63	7.00	9.50	9.17
23051-119	Harper Passage Satin Nickel	1	4.63	6.13	8.75	2.80	3	13.63	7.00	9.50	9.33
23012-150	Harper Entry Tuscan Bronze	1	4.63	6.13	8.75	2.84	4	13.63	9.25	9.25	12.00
23031-150	Harper Privacy Tuscan Bronze	1	4.63	6.13	8.75	2.80	3	13.63	7.00	9.50	9.53
23051-150	Harper Passage Tuscan Bronze	1	4.63	6.13	8.75	2.80	3	13.63	7.00	9.50	9.36
23013-105	Alwood Entry Polished Brass	1	4.63	6.13	8.75	2.96	4	13.63	9.25	9.25	12.40
23032-105	Alwood Privacy Polished Brass	1	4.63	6.13	8.75	2.80	3	13.63	7.00	9.50	9.53
23052-105	Alwood Passage Polished Brass	1	4.63	6.13	8.75	2.80	3	13.63	7.00	9.50	9.37
23013-119	Alwood Entry Satin Nickel	1	4.63	6.13	8.75	2.96	4	13.63	9.25	9.25	12.40
23032-119	Alwood Privacy Satin Nickel	1	4.63	6.13	8.75	2.80	3	13.63	7.00	9.50	9.50
23052-119	Alwood Passage Satin Nickel	1	4.63	6.13	8.75	2.80	3	13.63	7.00	9.50	9.33
23013-150	Alwood Entry Tuscan Bronze	1	4.63	6.13	8.75	2.93	4	13.63	9.25	9.25	12.40
23032-150	Alwood Privacy Tuscan Bronze	1	4.63	6.13	8.75	2.80	3	13.63	7.00	9.50	9.50
23052-150	Alwood Passage Tuscan Bronze	1	4.63	6.13	8.75	2.80	3	13.63	7.00	9.50	9.33
23014-105	Glenshaw Entry Polished Brass	1	4.63	6.13	8.75	2.82	4	13.63	9.25	9.25	13.00
23034-105	Glenshaw Privacy Polished Brass	1	4.63	6.13	8.75	2.63	3	13.63	7.00	9.50	7.98
23054-105	Glenshaw Passage Polished Brass	1	4.63	6.13	8.75	2.58	3	13.63	7.00	9.50	7.87
23014-119	Glenshaw Entry Satin Nickel	1	4.63	6.13	8.75	2.82	4	13.63	9.25	9.25	13.00

Item Number	Product Name	QTY	D(in)	W(in)	H(in)	Weight(lbs)	QTY	D(in)	W(in)	H(in)	Weight(lbs)
23034-119	Glenshaw Privacy Satin Nickel	1	4.63	6.13	8.75	2.64	3	13.63	7.00	9.50	7.94
23054-119	Glenshaw Passage Satin Nickel	1	4.63	6.13	8.75	2.56	3	13.63	7.00	9.50	7.81
23014-150	Glenshaw Entry Tuscan Bronze	1	4.63	6.13	8.75	2.82	4	13.63	9.25	9.25	13.00
23034-150	Glenshaw Privacy Tuscan Bronze	1	4.63	6.13	8.75	2.60	3	13.63	7.00	9.50	7.92
23054-150	Glenshaw Passage Tuscan Bronze	1	4.63	6.13	8.75	2.59	3	13.63	7.00	9.50	7.83
23015-119	Arnett Entry Satin Nickel	1	4.63	6.13	8.75	2.87	4	13.63	9.25	9.25	11.80
23035-119	Arnett Privacy Satin Nickel	1	4.63	6.13	8.75	2.62	3	13.63	7.00	9.50	9.33
23055-119	Arnett Passage Satin Nickel	1	4.63	9.13	8.75	2.87	3	13.63	7.00	9.50	9.33
23015-150	Arnett Entry Tuscan Bronze	1	4.63	6.13	8.75	2.85	4	13.63	9.25	9.25	11.80
23035-150	Arnett Privacy Tuscan Bronze	1	4.63	6.13	8.75	2.61	3	13.63	7.00	9.50	9.33
23055-150	Arnett Passage Tuscan Bronze	1	4.63	6.13	8.75	2.87	3	13.63	7.00	9.50	9.33

DEADBOLTS											
INDIVIDUAL UNIT							MASTER CASE				
Item Number	Product Name	QTY	D(in)	W(in)	H(in)	Weight(lbs)	QTY	D(in)	W(in)	H(in)	Weight(lbs)
23061-105	Almarrion Deadbolt Polished Brass	1	4.25	4.00	8.75	1.85	4	9.38	8.38	9.00	8.01
23061-119	Almarrion Deadbolt Satin Nickel	1	4.25	4.00	8.75	1.85	4	9.38	8.38	9.00	7.95
23061-150	Almarrion Deadbolt Tuscan Bronze	1	4.25	4.00	8.75	1.85	4	9.38	8.38	9.00	8.00
23062-105	Amberhall Deadbolt Polished Brass	1	4.25	4.00	8.75	1.76	4	9.38	8.38	9.00	9.60
23062-119	Amberhall Deadbolt Satin Nickel	1	4.25	4.00	8.75	1.85	4	9.38	8.38	9.00	7.91
23062-150	Amberhall Deadbolt Tuscan Bronze	1	4.25	4.00	8.75	1.85	4	9.38	8.38	9.00	7.96
23063-105	Weldon Deadbolt Polished Brass	1	4.25	4.00	8.75	1.85	4	9.38	8.38	9.00	7.95
23063-119	Weldon Deadbolt Satin Nickel	1	4.25	4.00	8.75	1.85	4	9.38	8.38	9.00	8.09
23063-150	Weldon Deadbolt Tuscan Bronze	1	4.25	4.00	8.75	1.85	4	9.38	8.38	9.00	8.07

HANDLESETS											
INDIVIDUAL UNIT							MASTER CASE				
Item Number	Product Name	QTY	D(in)	W(in)	H(in)	Weight(lbs)	QTY	D(in)	W(in)	H(in)	Weight(lbs)
23071-119	Rhodes Handleset Satin Nickel	1	3.63	7.25	15.50	5.20	2	16.13	15.25	8.63	11.74
23071-150	Rhodes Handleset Tuscan Bronze	1	3.63	7.25	15.50	5.19	2	16.13	15.25	8.63	11.75
23072-105	Rourke Handleset Polished Brass	1	3.63	7.25	15.50	5.79	2	16.13	15.25	8.63	12.90
23072-119	Rourke Handleset Satin Nickel	1	3.63	7.25	15.50	5.76	2	16.13	15.25	8.63	12.91
23072-150	Rourke Handleset Tuscan Bronze	1	3.63	7.25	15.50	5.78	2	16.13	15.25	8.63	12.85

COMBO PACKS											
INDIVIDUAL UNIT							MASTER CASE				
Item Number	Product Name	QTY	D(in)	W(in)	H(in)	Weight(lbs)	QTY	D(in)	W(in)	H(in)	Weight(lbs)
23094-105	Glenshaw Entry Lever Combination in Polished Brass	1	4.38	9.00	10.63	3.93	4	17.75	11.25	9.75	17.00
23094-119	Glenshaw Entry Lever Combination in Satin Nickel	1	4.38	9.00	10.63	3.96	4	17.75	11.25	9.75	17.00
23094-150	Glenshaw Entry Lever Combination in Tuscan Bronze	1	4.38	9.00	10.63	3.96	4	17.75	11.25	9.75	17.00
23091-119	Harper Passage Lever Combination in Satin Nickel	1	4.38	9.00	10.63	4.71	4	17.75	11.25	9.75	19.51
23091-150	Harper Passage Lever Combination in Tuscan Bronze	1	4.38	9.00	10.63	4.67	4	17.75	11.25	9.75	19.43
23092-105	Alwood Passage Lever Combination in Polished Brass	1	4.38	9.00	10.63	4.80	4	17.75	11.25	9.75	19.88
23092-119	Alwood Passage Lever Combination in Satin Nickel	1	4.38	9.00	10.63	4.80	4	17.75	11.25	9.75	19.96
23092-150	Alwood Passage Lever Combination in Tuscan Bronze	1	4.38	9.00	10.63	4.80	4	17.75	11.25	9.75	19.94



BRINKS
HOME SECURITY™

PUSH **PULL** **ROTATE**®
DOOR LOCKS



SECURE



TOUGH

BUILT TO LAST