

INSTALLATION INSTRUCTIONS 7800 MORTISE LOCK WITH PT PADDLE TRIM

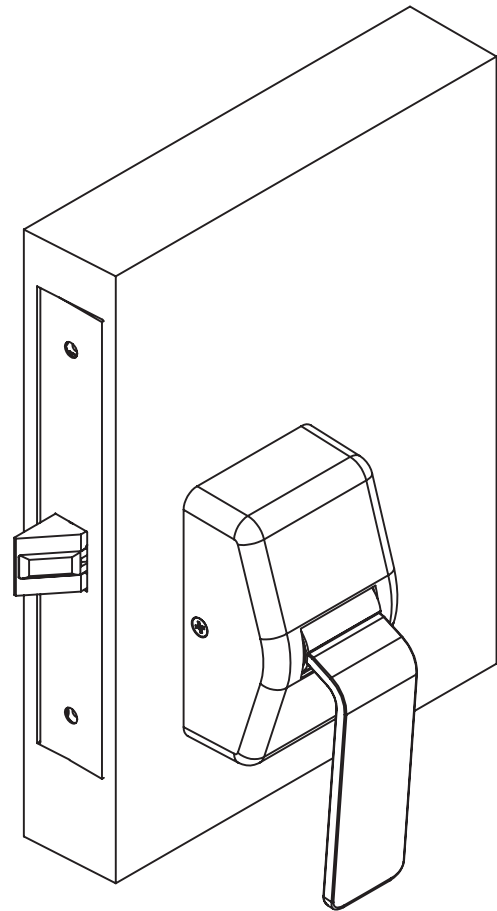
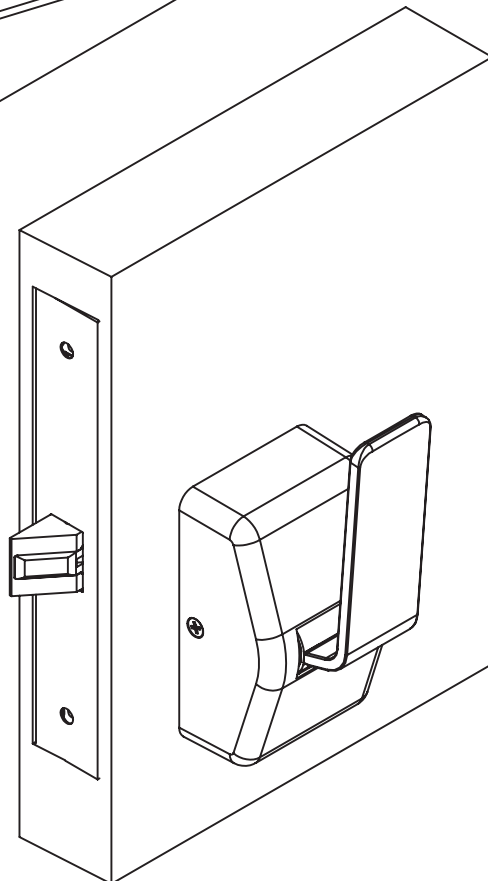
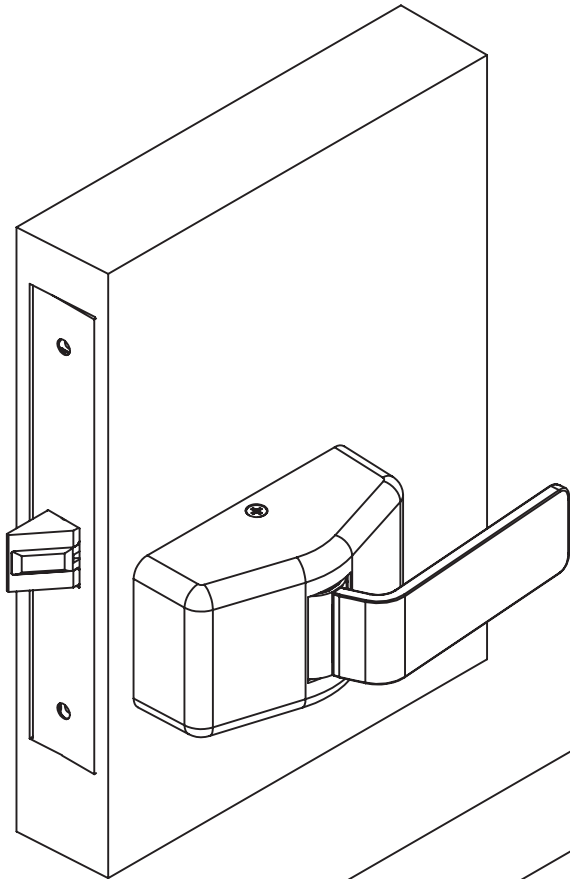
FOR INSTALLATION ASSISTANCE, CALL SARGENT AT 1-800-727-5477 • www.sargentlock.com

SARGENT®

ASSA ABLOY

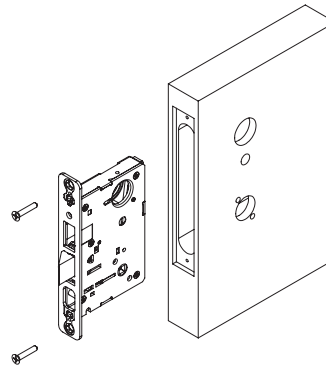
TOOLS REQUIRED

- Phillips screwdriver #2
- Drill
- 7/46" Drill Bit (Wood Door)
- #8-32 Tap (Metal Door)
- 0.136" (#18) Tap Drill
- Screw Pack with screws for lockbody, fronts & strike screws (part # 77-4236)
- T15 torx bit
- 1/8" Allen key



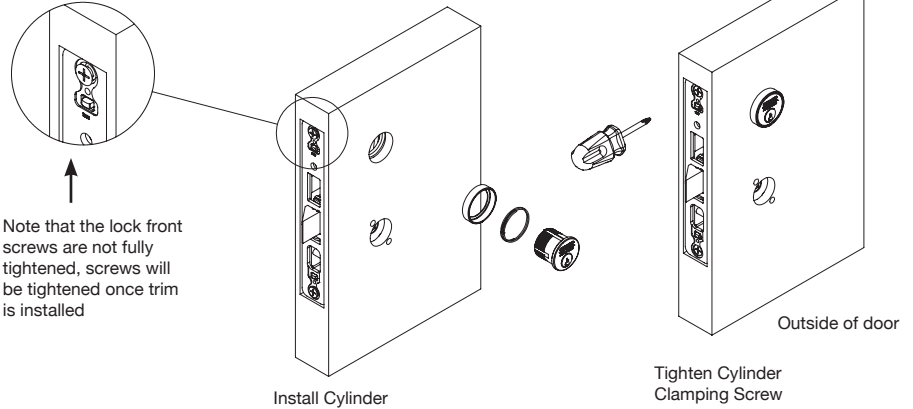
1 INSTALLATION OF LOCK

- Slide lock into the door
- Secure lock in door with (2) wood screws #12 x 1-1/4" or machine screws #12-24 x 1/2"
- Do not tighten screws fully at this point



2 INSTALLATION OF CYLINDER

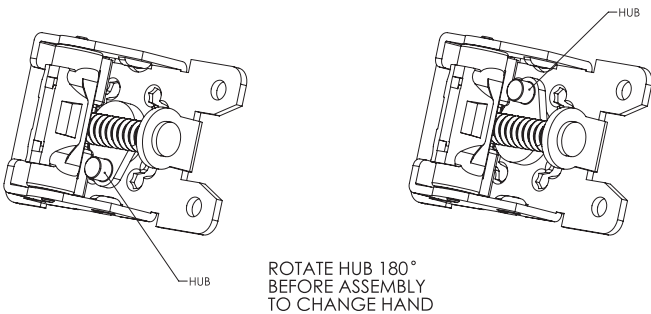
- * For non-cylinder functions proceed to STEP 3
- Thread the cylinder into the lockbody
- Verify the cylinder is flush with the collar and the name is horizontal
- Secure cylinder with cylinder clamping screw located above the deadbolt opening
- Verify the cylinder functions correctly



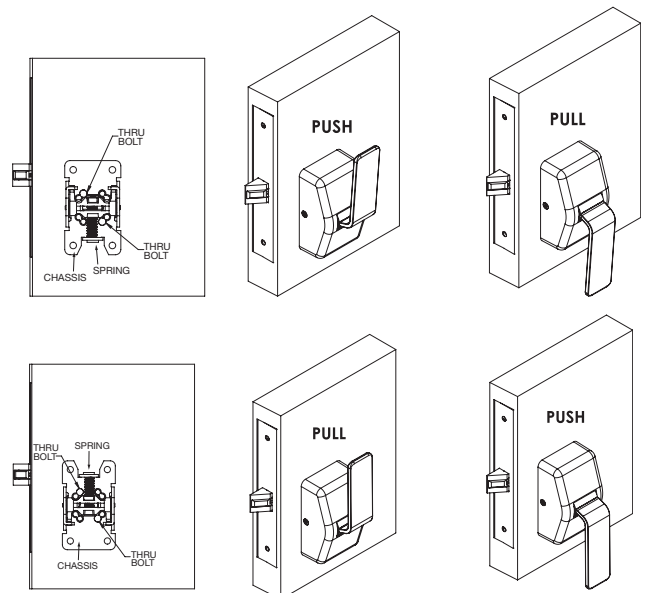
3 DETERMINE ORIENTATION AND HANDING OF TRIM

- The trim can be mounted vertically or horizontally

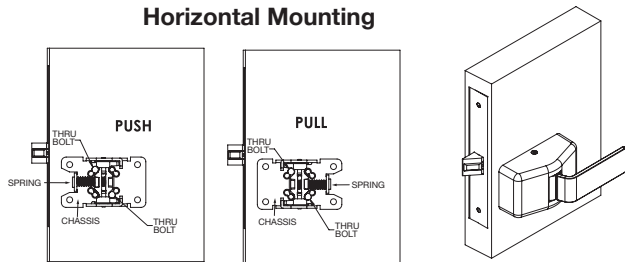
*NOTE: Chassis is packed with paddle attached
Remove paddle before installing



Vertical Mounting



Horizontal Mounting



To change from PUSH to PULL orientation, chassis will need to be turned 180° and paddle installed in the correct direction

*NOTE: Before installing chassis to door, make sure spring orientation is correct

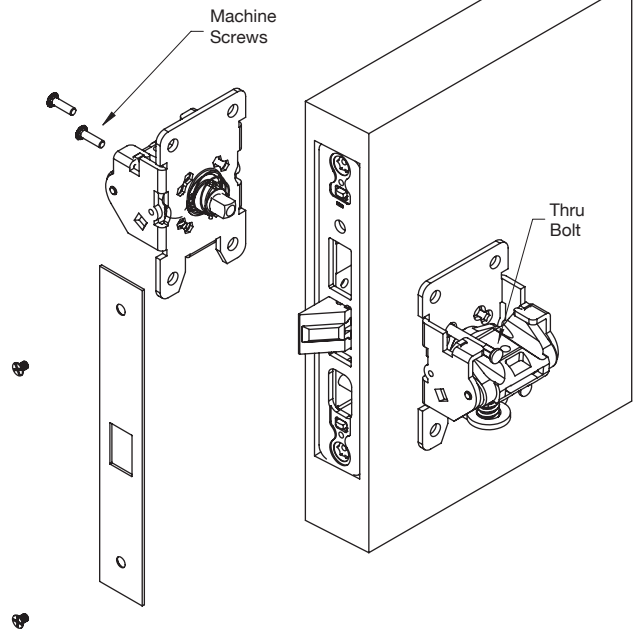
SARGENT

ASSA ABLOY

ASSA ABLOY, the global leader in door opening solutions

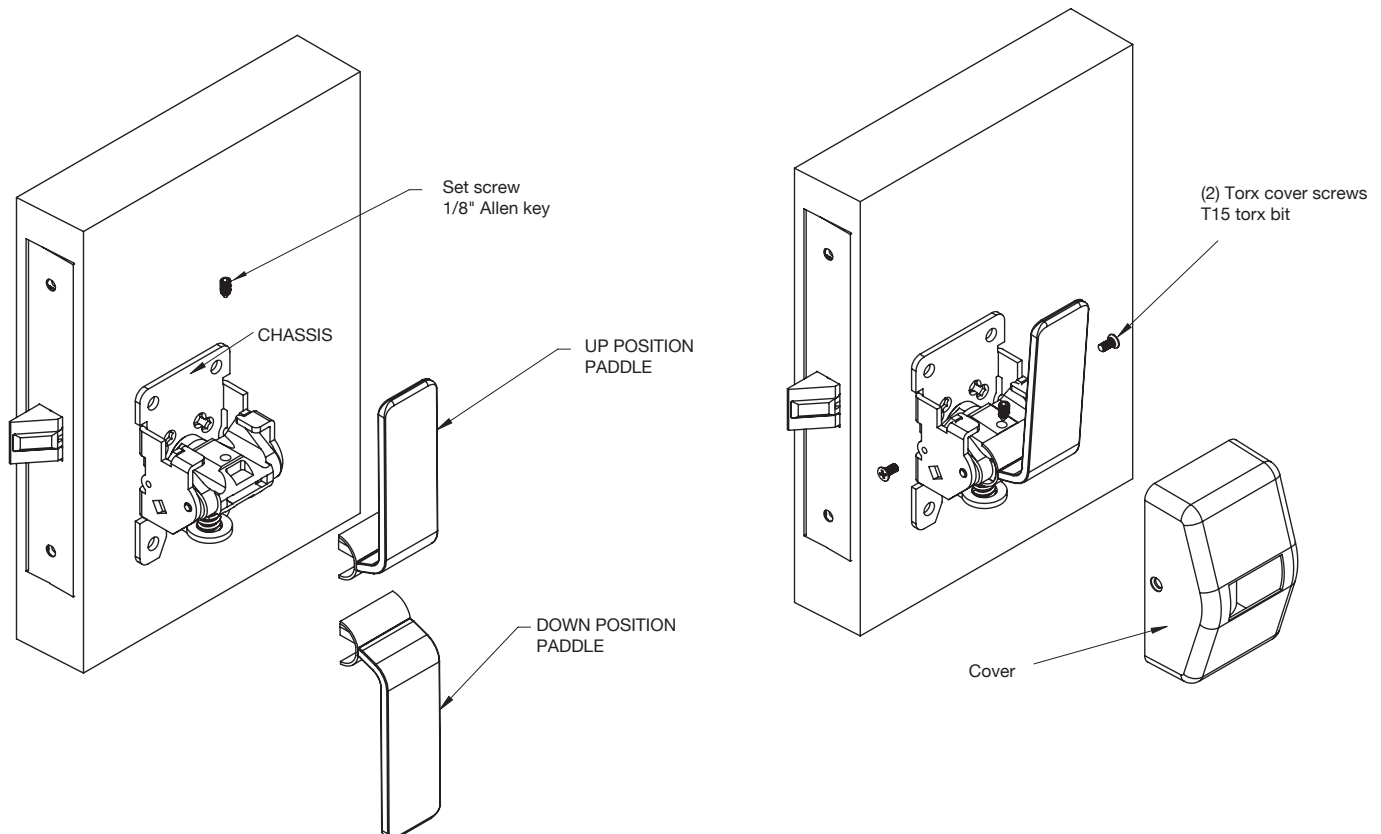
4 INSTALLATION OF CHASSIS

- Check handing of chassis before installing mounting screws
- Insert the (2) mounting posts through the outside chassis, then secure with (2) #8-32 x 5/8" machine screws through the inside chassis
Do not tighten fully at this point
- Lockbody screws on edge of door are to be securely fastened at this point
- Level chassis
- Tighten thru bolt screws
- Attach the outside front plate to lock front with (2) #8-32 x 1/4" flat head screws
- Tighten all screws firmly, be sure not to over tighten



5 INSTALLATION OF PADDLES AND COVERS

- Insert paddle in slot
- Install set screw
- Slide cover over paddle and align with mounting holes
- Install cover screws



SARGENT
ASSA ABLOY

ASSA ABLOY, the global leader
in door opening solutions

Copyright © 2011, Sargent Manufacturing Company, an ASSA ABLOY Group company.
All rights reserved. Reproduction in whole or in part without the express written
permission of Sargent Manufacturing Company is prohibited.

A8130C

3

7800PT MULTI FUNCTION LOCK INSTRUCTIONS

How to Change Function of Lock:

Green catch screw must be located as designated on lock case to create desired function.

3 locations: One for 05, 37 & 38 functions (15 function in unlocked position)

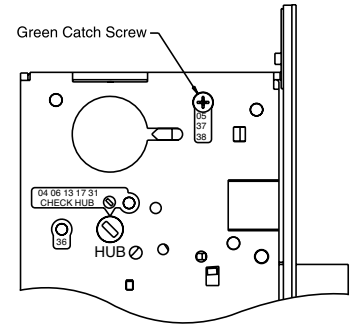
One for 04, 06, 13, 17 & 31 functions

And one for 36 function

Note: When moving green catch screw to 04, 06, 13, 17 & 31 functions, hub position must be at 45° as shown on lockcase.

Note: 17 function requires both levers to be rigid. Rotate red locking piece 90°, so red surface of slide faces back of lockbody.

7800PT lockbody is required when using PT paddle trim, 8200 lever lockbody will not function properly with the PT trim.



Items needed to create each of the following functions:

Function	Outside Lever	Inside Lever	Trim One Side Kit	Outside Cylinder	Inside Cylinder	Thumb Turn
04	X	X		X		
05	X	X		X		X***
06		X	X	X		
13		X	X			
17	X	X		X	X	
31		X	X	X		
36		X	X	X		
37	X	X		X		
38	X	X		X	X	

#41 Cylinder is standard for both single & double cylinder functions for 1-3/4" thick door

NOTE: Trim-one-side functions always require an inside trim assembly which can be used on the inside or outside of the door

U.S. Patent (Pending) No. 5,678,870

How To Change Hand of Lock

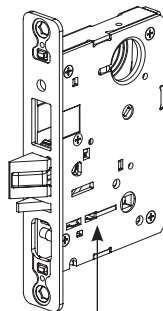
Note: Red surface of locking piece must face secure (keyed/locked) side of door.

To rotate locking piece:

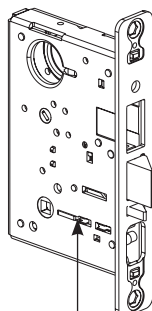
1. Position lockbody with red surface of locking piece visible.
2. Insert blade type screwdriver into locking piece slot to rotate locking piece.
3. Push locking piece toward back of lock body and rotate 180° until RED surface shows on opposite side.

IMPORTANT: 04, 06, 13, 17 and 31 Functions require:

- (a) Green catch screw to be removed
- (b) Rotate hub 45° to vertical position
- (c) Rotate locking piece for required hand
- (d) Red surface faces locked side of door
- (e) Rotate hub to the original 45° position as shown on lockcase
- (f) Green catch screw is then reinstalled

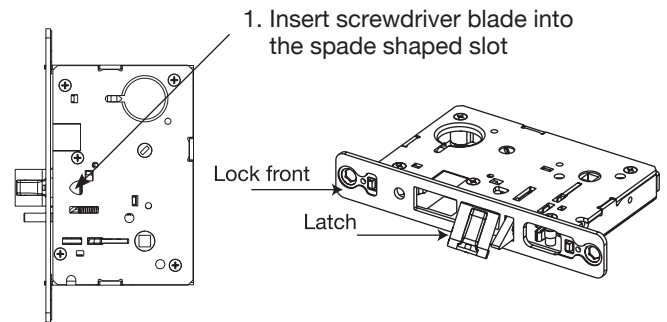


Locking piece slot

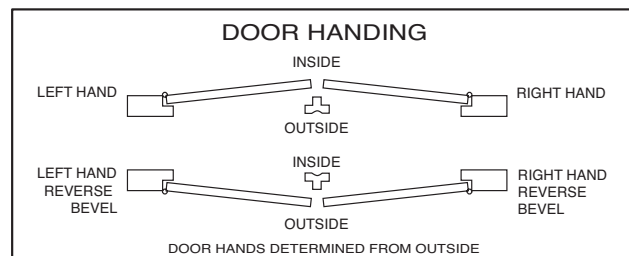


Red color indicates locked side of door or hold back side (91 and 92 Functions)

Note: Beveled surface of latch must face strike. The deadlatch is self adjusting. To change hand of latch:



2. Rotate screwdriver 90° to push latch out until back of latch clears lock front. Then rotate latch 180°. Latch will then re-enter lockbody. (Note: Latch can not be unscrewed)



SARGENT

ASSA ABLOY

ASSA ABLOY, the global leader in door opening solutions