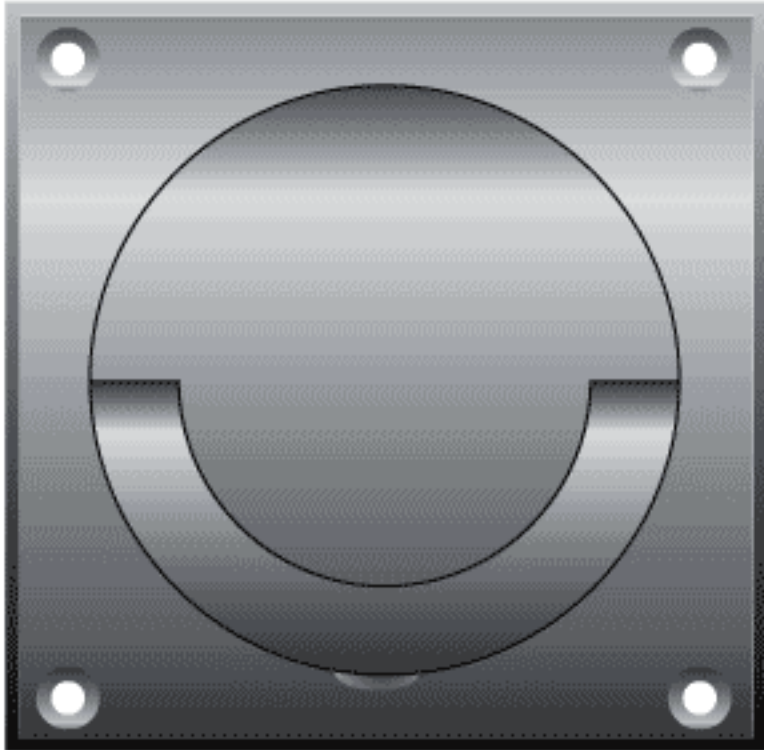




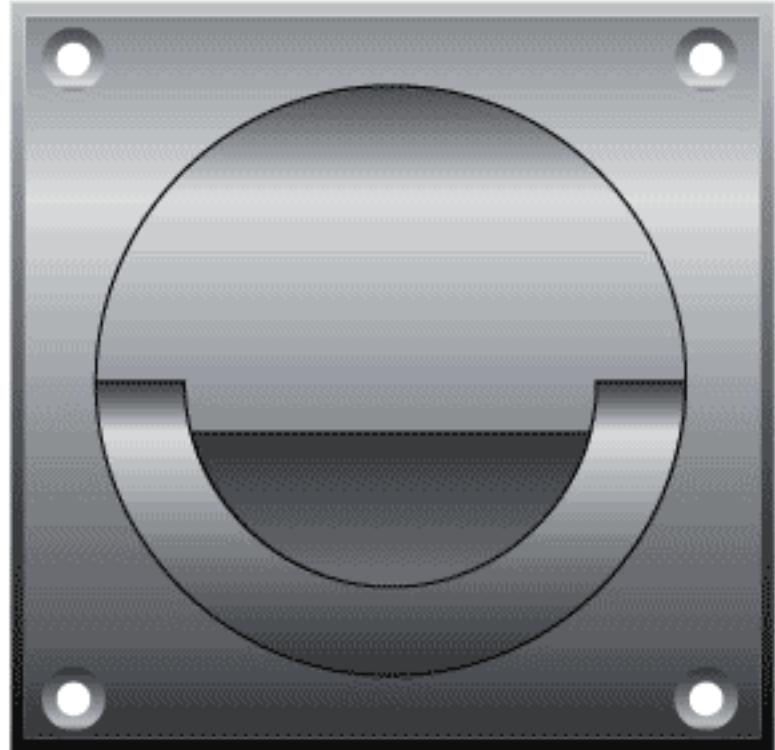
RING PULLS H SERIES

42

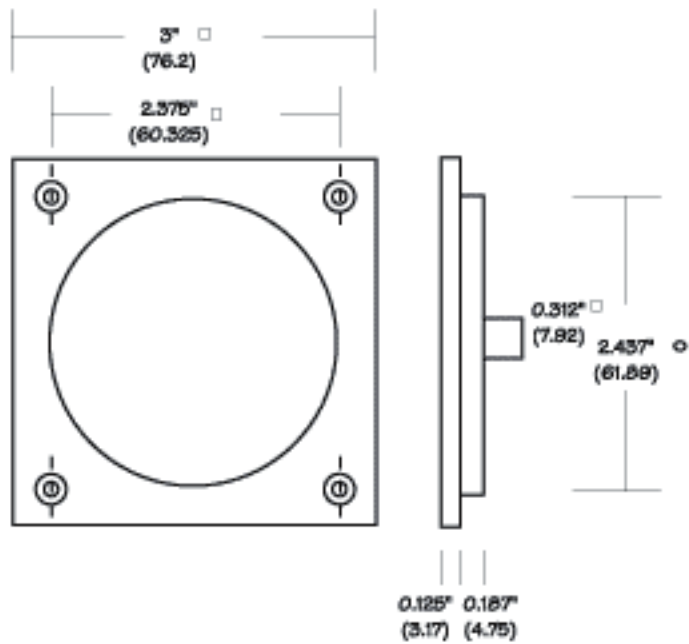
H400



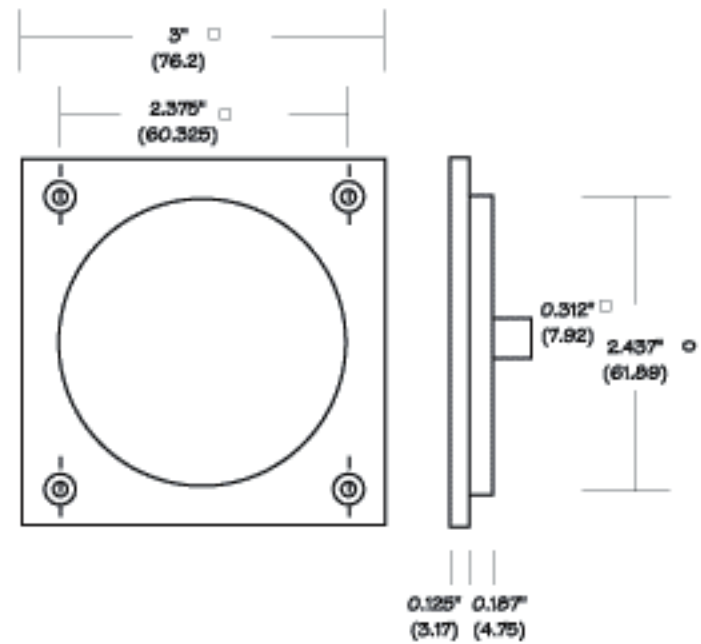
H401



SQUASH COURT RING PULL



DROP RING PULL



MATERIALS

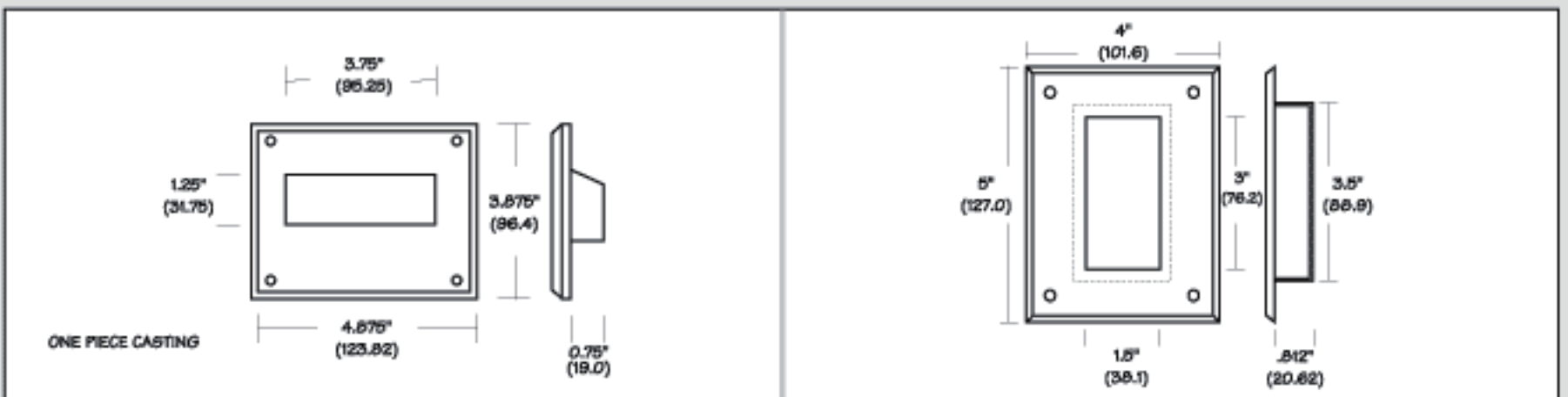
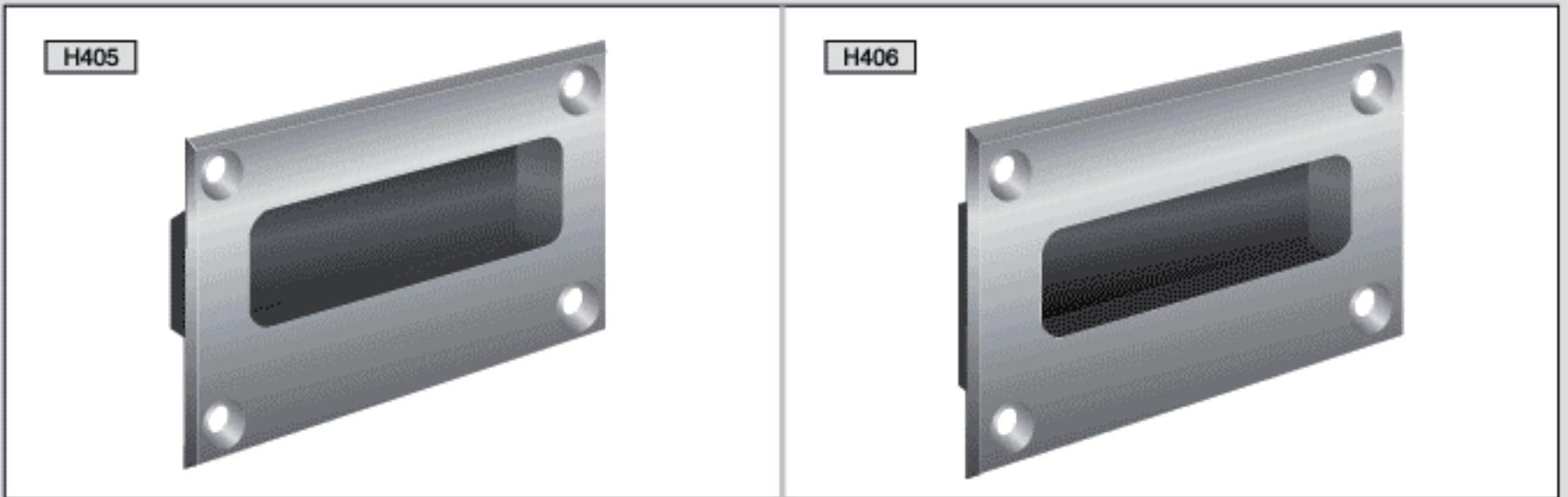
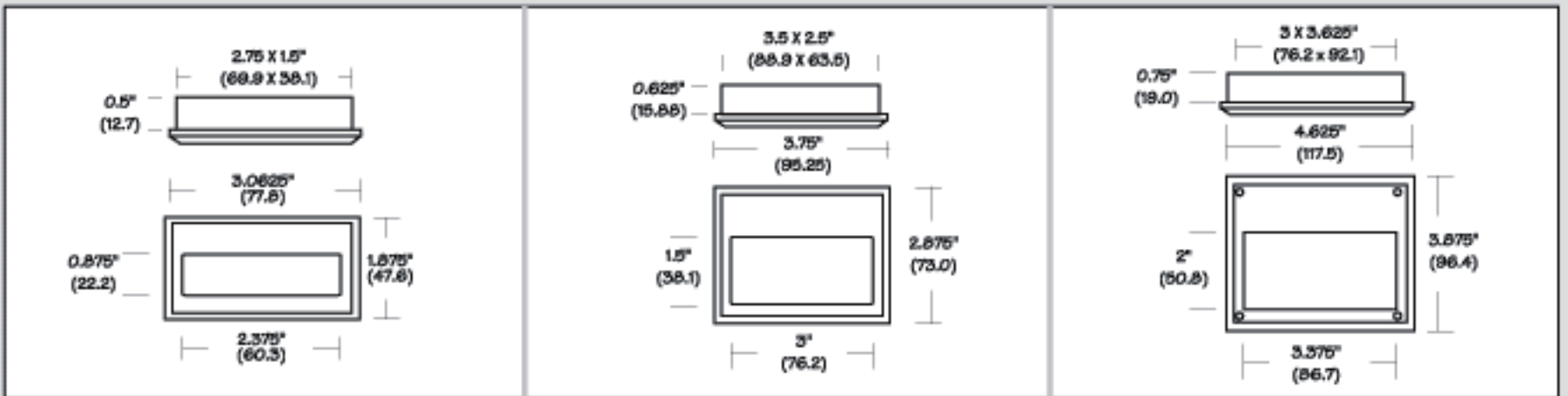
CAST BRASS,
BRONZE

FINISHES

ALL
STANDARD



FLUSH PULLS H SERIES

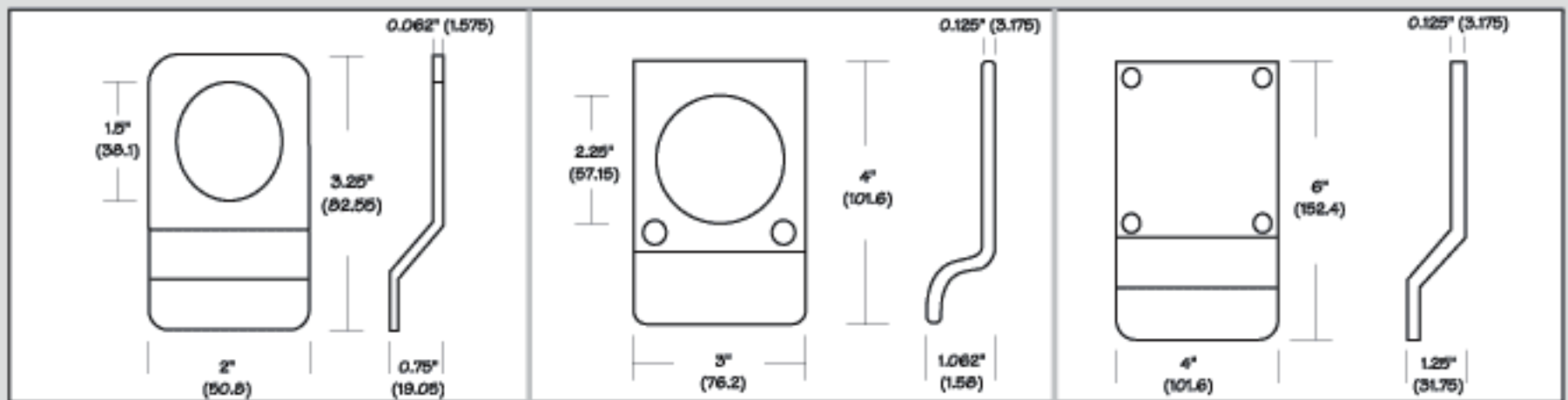
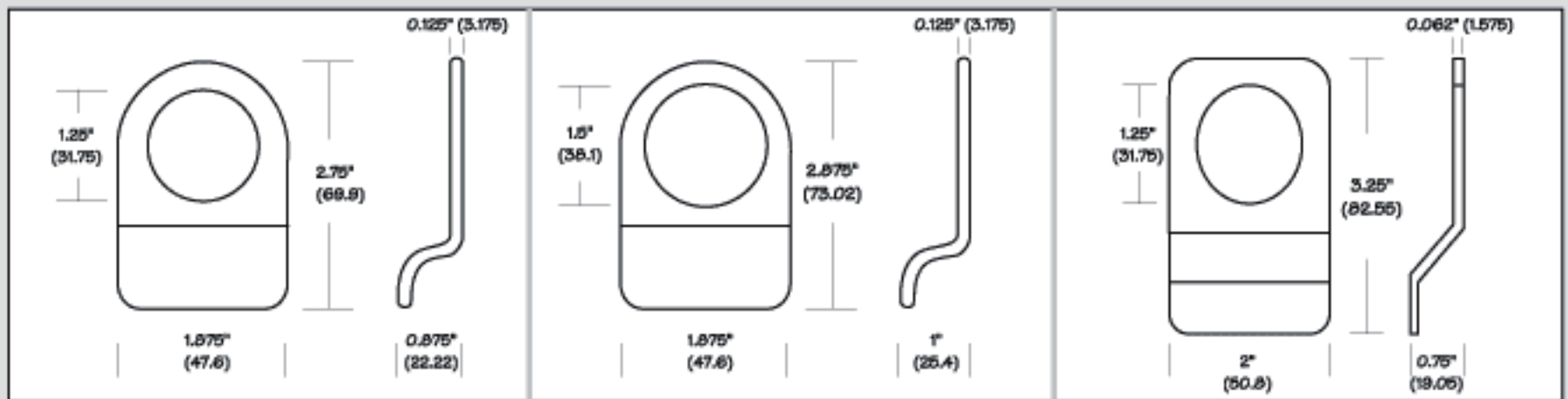


MATERIALS	FINISHES
H402 - H405 CAST BRASS, BRONZE, ALUMINUM H406 - STAINLESS STEEL	ALL STANDARD



CYLINDER PULLS H SERIES

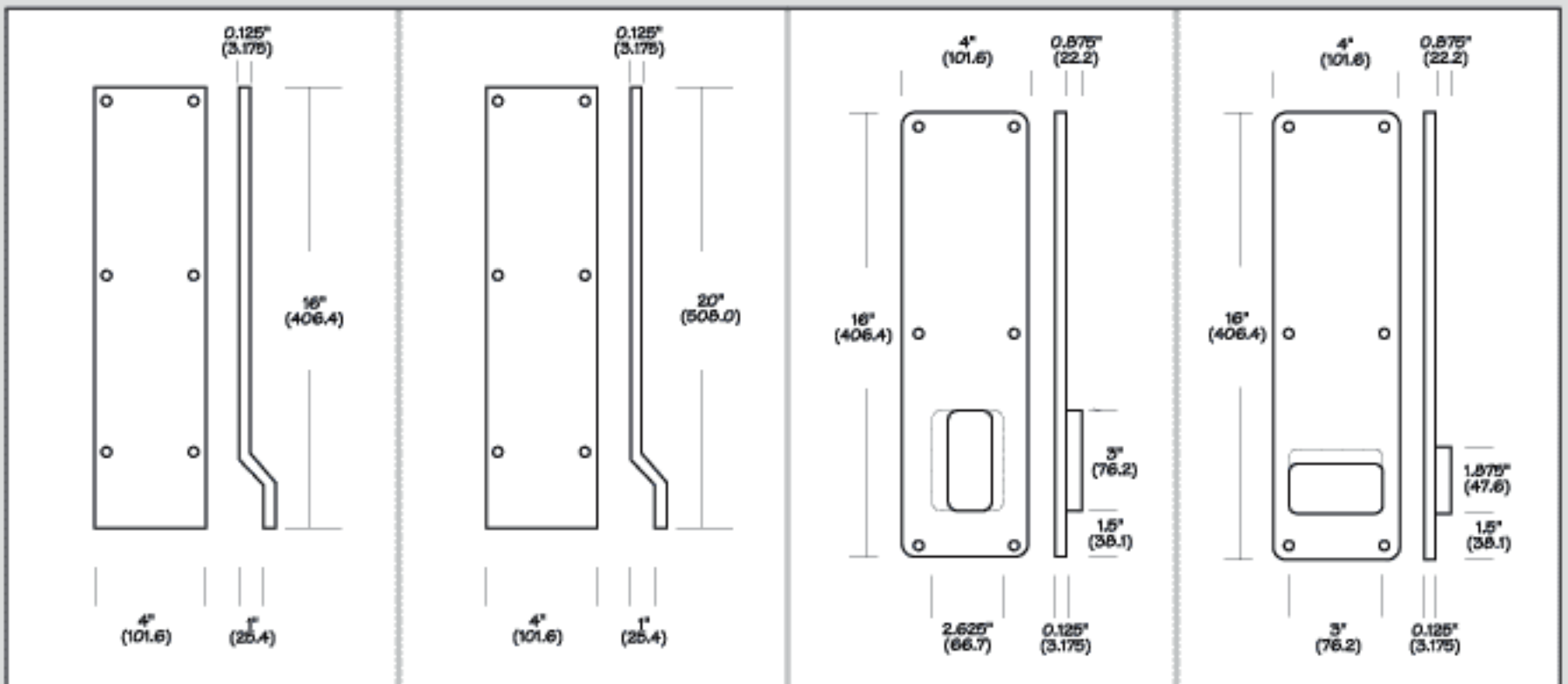
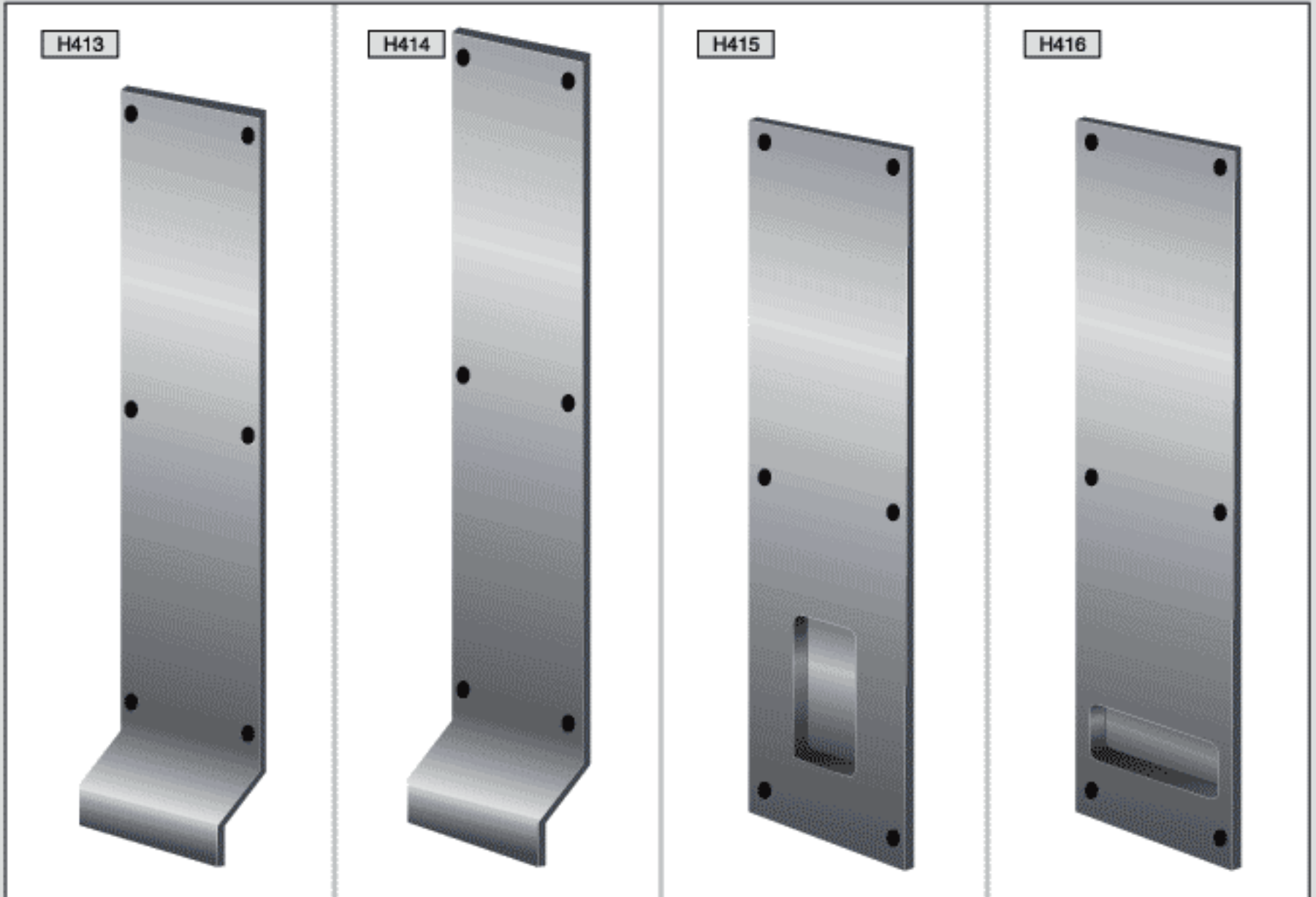
44



MATERIALS	FINISHES
<p>H407 - H408 CAST BRASS, BRONZE H409 - H410 STEEL H411 - H412 SOLID BRASS, BRONZE, ALUMINUM, STAINLESS STEEL</p>	<p>ALL STANDARD</p>



PULL PLATES H SERIES

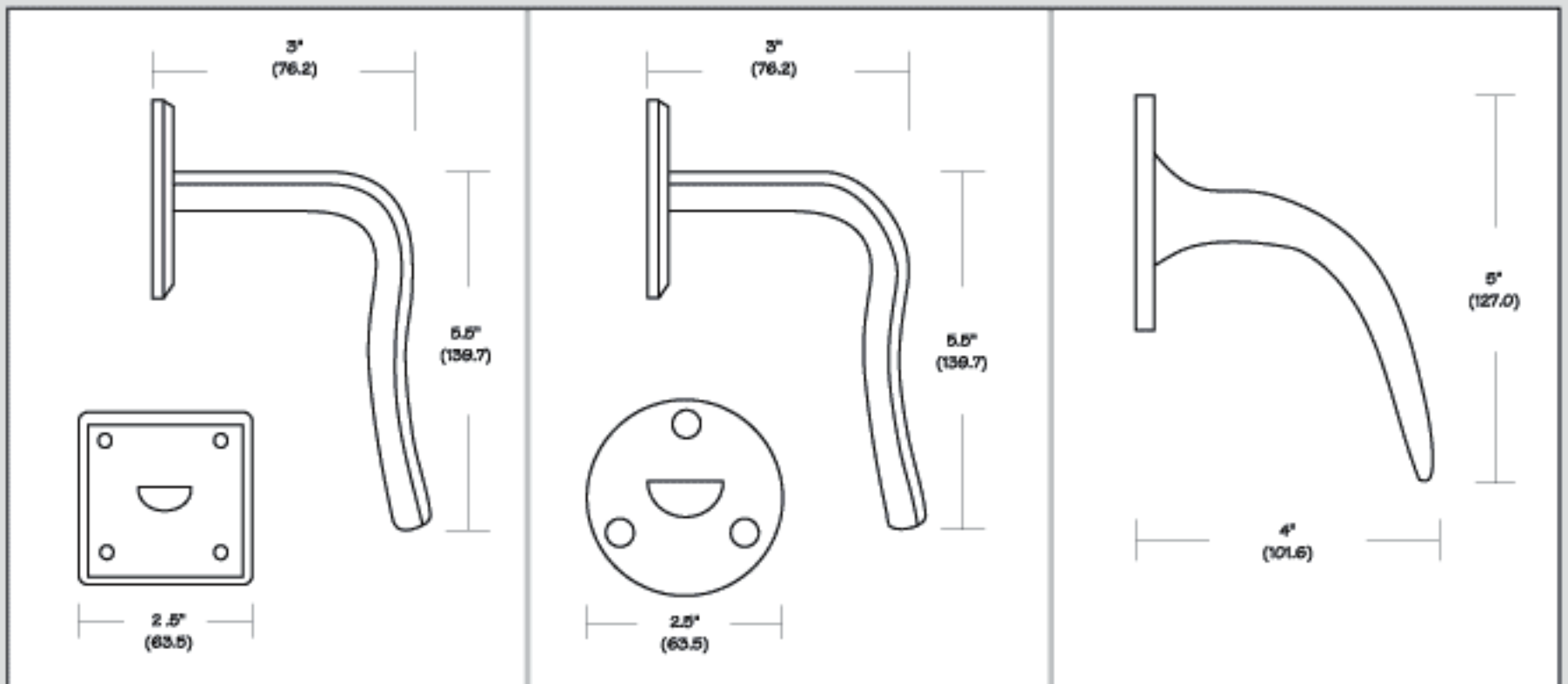


MATERIAL	FINISHES
BRASS, BRONZE, ALUMINUM, STAINLESS STEEL	ALL STANDARD



INSTITUTIONAL PULLS H SERIES

46



MATERIALS	FINISHES
BRASS, BRONZE, STAINLESS STEEL	ALL STANDARD